



*This catalogue is applicable for CFMOTO 650MT 2022 (650-3F)*

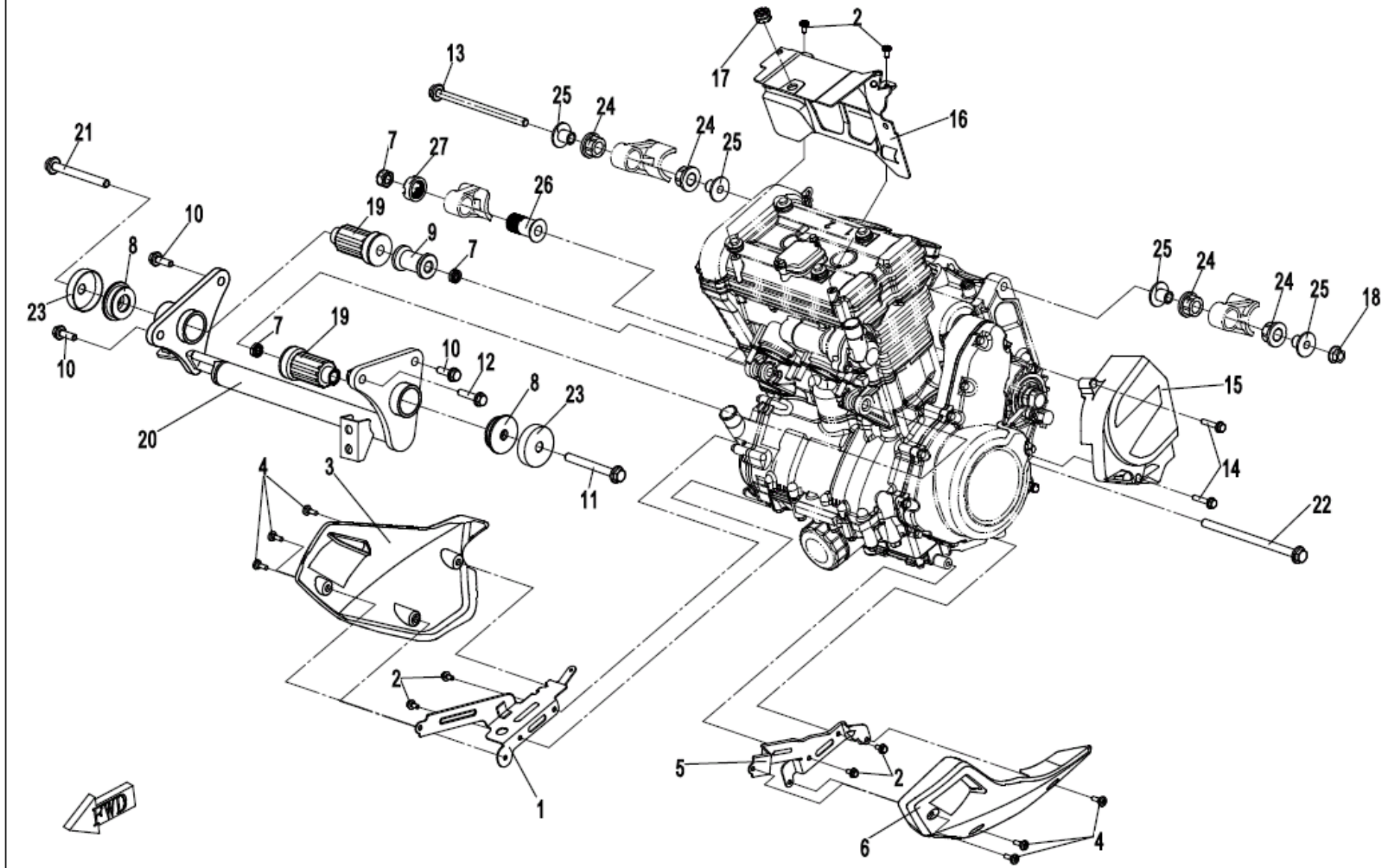


**TFT DASHBOARD**



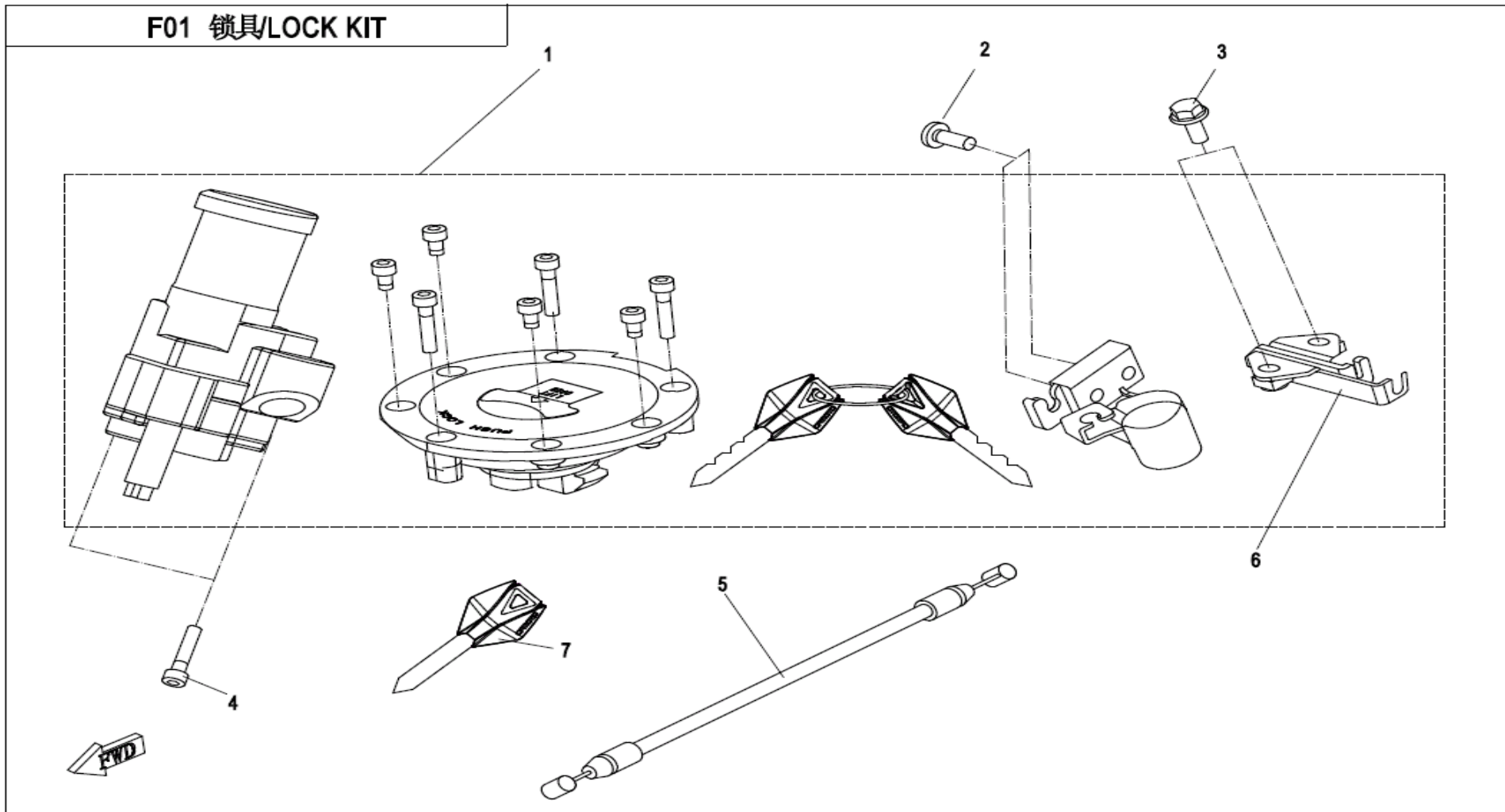
**CF650-3F MARKING**

F00 发动机安装附件 / ENGINE FITTINGS



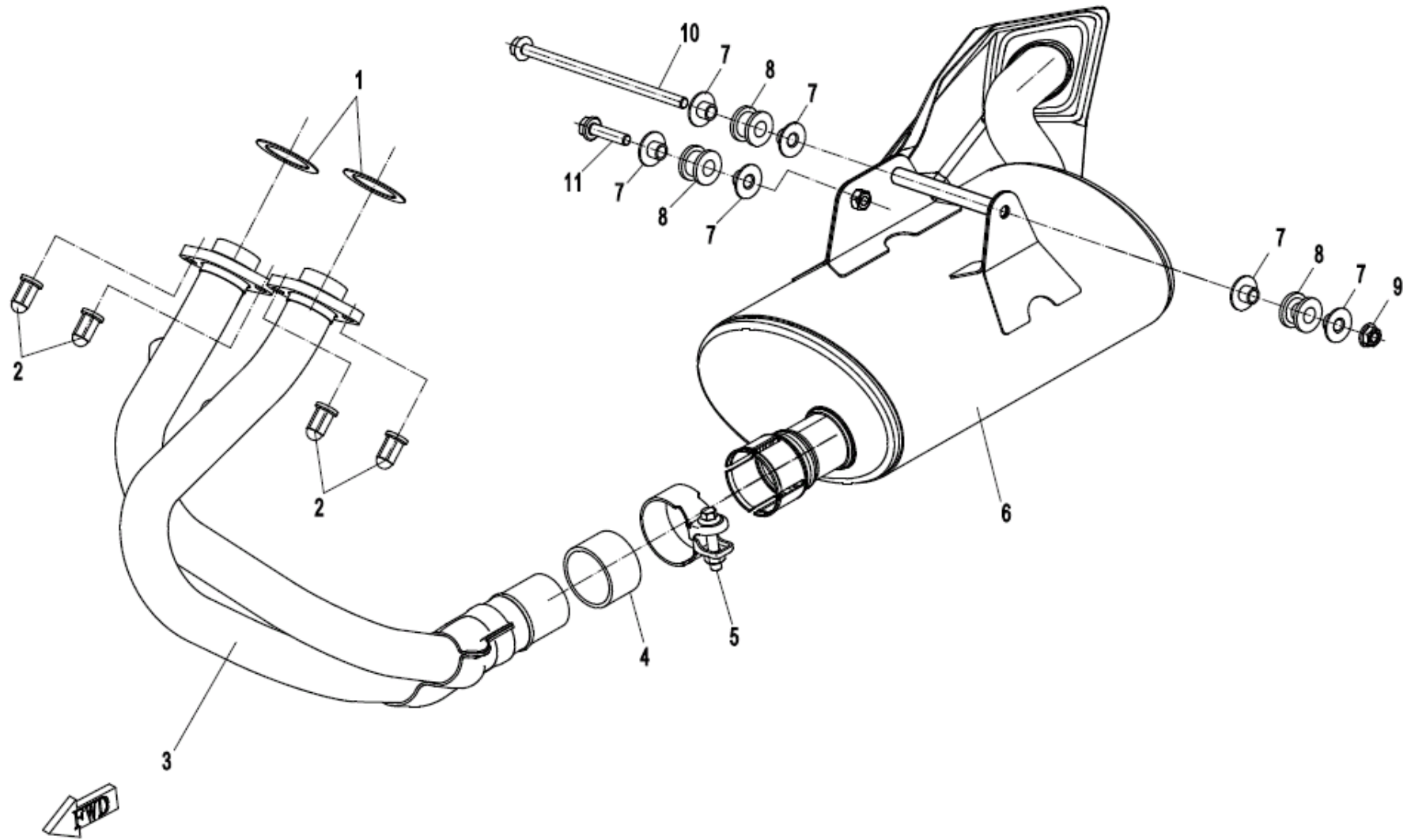
Item No	Parts Number	Parts Name(EN)	Parts Name(CN)	Qty	Remark(s)
01	6NT1-000120	RH BRACKET, LOWER BASE PLATE	下底板右安装支架组合	1	
02	30006-060012810	BOLT M6x12	螺栓M6x12	6	M6x12
03	6NT1-043201	RH PANEL, ENGINE	发动机右护板	1	
04	A000-060002	SCREW, CHAIN GUARD	链条护卡安装螺钉	6	
05	6NT1-000110	LH BRACKET, LOWER BASE PLATE	下底板左安装支架组合	1	
06	6NT1-043101	LH PANEL, ENGINE	发动机左护板	1	
07	30203-102110	NUT M10x1.25	螺母	3	M10x1.25
08	6NT1-000250	FRONT LH CUSHION RUBBER 2, ENGINE	发动机前左缓冲橡胶组合 II	2	
09	6NT1-000221	FRONT RH BUSHING, ENGINE	发动机前右安装衬套	1	
10	30006-080025810	BOLT	螺栓	3	M8x25
11	30001-102110110	BOLT M10x1.25x110	螺栓	1	M10x1.25x110
12	30006-080028810	BOLT M8x28	螺栓	1	M8x28
13	6NT1-000131	REAR UPPER SHAFT, ENGINE	发动机后上安装轴	1	
14	30006-060030810	BOLT M6x30	螺栓	2	M6x30
15	6NTG-000102	GUARD, SMALL SPROCKET	小链轮护罩	1	
16	6NT1-042701	MIDDLE FENDER(REAR), WATER TANK	水箱后中挡板	1	
17	5020-031001	RUBBER SLEEVE, FRONT LICENSE BRACKET	前牌照支架橡胶胶套	1	
18	30204-102810	NUT M10x1.25	螺母	1	M10x1.25
19	6NT1-000240	FRONT LH CUSHION RUBBER 1, ENGINE	发动机前左缓冲橡胶组合 I	2	
20	6NT1-000210-0BB00	FRONT BRACKET, ENGINE	发动机前安装支架组合	1	PLASTIC POWDER
21	30001-102150110	BOLT M10x1.25x150	螺栓	1	M10x1.25x150
22	6NT1-000141	REAR LOWER SHAFT, ENGINE	发动机后下安装轴	1	
23	6NT1-000231	FRONT DUST COVER, ENGINE	发动机前缓冲橡胶防尘盖	2	
24	6NT1-000281	REAR UPPER RUBBER, ENGINE	发动机后上缓冲橡胶	4	
25	6NT1-000282	REAR UPPER RUBBER BUSHING, ENGINE	发动机后上缓冲橡胶衬套	4	
26	6NT1-000291	REAR LOWER THREAD SLEEVE, ENGINE	发动机后下安装螺纹套	1	
27	6NT1-000292	NUT M18	开槽圆螺母	1	M18

F01 锁具 LOCK KIT



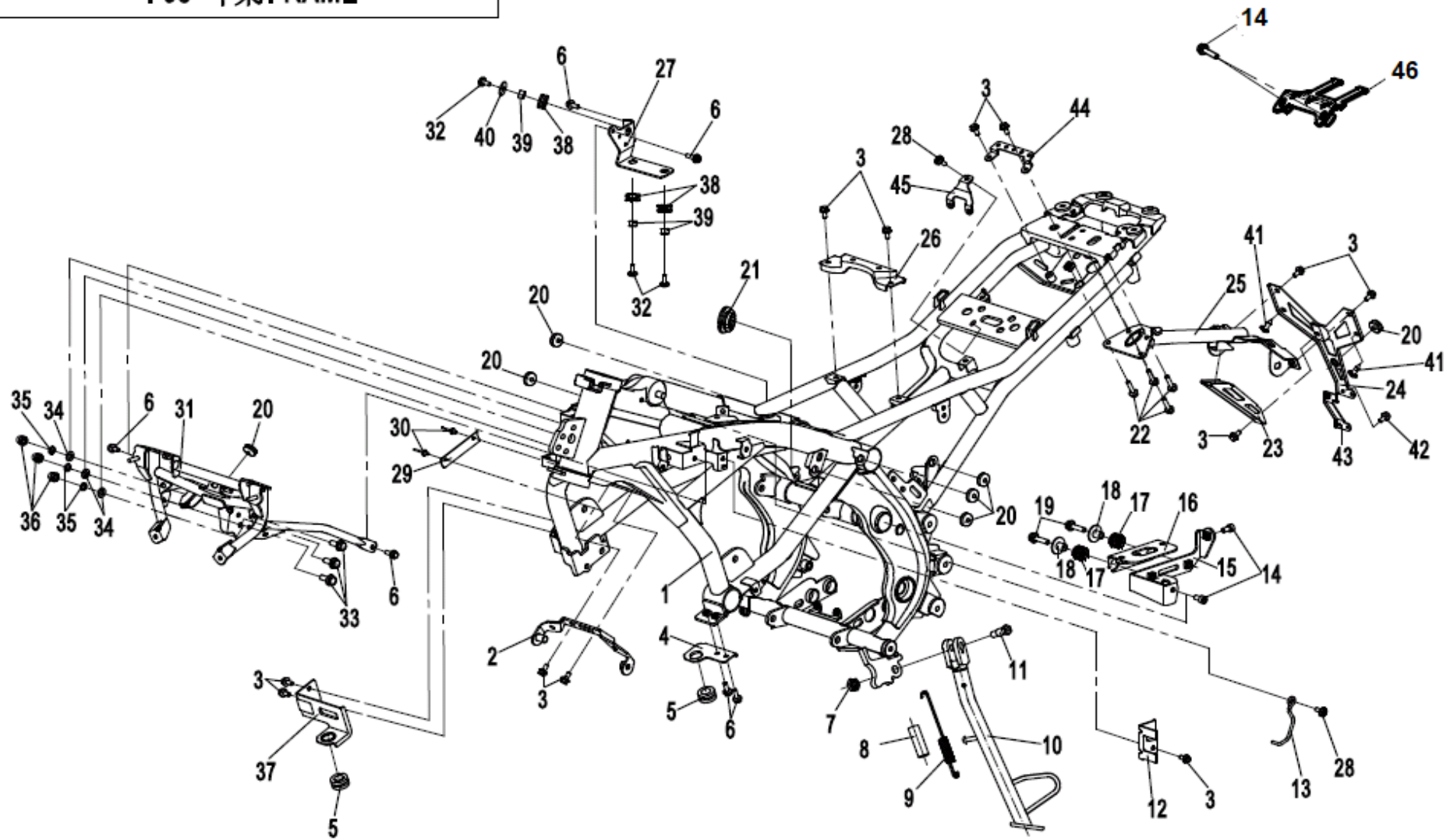
Item No	Parts Number	Parts Name(EN)	Parts Name(CN)	Qty	Remark(s)
01	6NTV-011000-B201-M1	LOCK KIT	锁具组合	1	
02	30105-050012410	SCREW M5x12	螺钉	2	M5x12
03	30006-060012810	BOLT M6x12	螺栓M6x12	2	M6x12
04	30102-060020810	SCREW M6x20	螺钉	2	M6x20
05	6NT1-010010	SEAT CABLE	座垫拉索	1	
06	A000-010600	LOCK SEAT, SEAT	座垫锁座组合	1	
07	6KMV-011020-B001	KEY	钥匙	2	

F02 排气消声器 MUFFLER



Item No	Parts Number	Parts Name(EN)	Parts Name(CN)	Qty	Remark(s)
01	0700-022012	GASKET, EXHAUST PIPE	排气管衬垫	2	
02	8010-020001	NUT M8, MUFFLER JOINT	消声器接头螺母M8	4	M8
03	6NTV-021100-B002	EXHAUST PIPE ASSY	排气管焊接组件	1	
04	6NQV-021001-B000	SEAL SLEEVE 1, GRAPHITE	石墨密封套 I	1	
05	A000-020600	CLAMP 2	卡箍组件II	1	
06	6NTV-021200-B002	MUFFLER ASSY	消声器主筒组件	1	
07	A000-020005	BUSHING	衬套	6	
08	A000-020004	DAMPER, MUFFLER	消声器缓冲套	3	
09	30204-080810	NUT M8	螺母	1	M8
10	A000-020006	SHAFT, MUFFLER	消声器安装轴	1	
11	30006-080035810	BOLT	螺栓	1	M8x35

F03 车架/FRAME

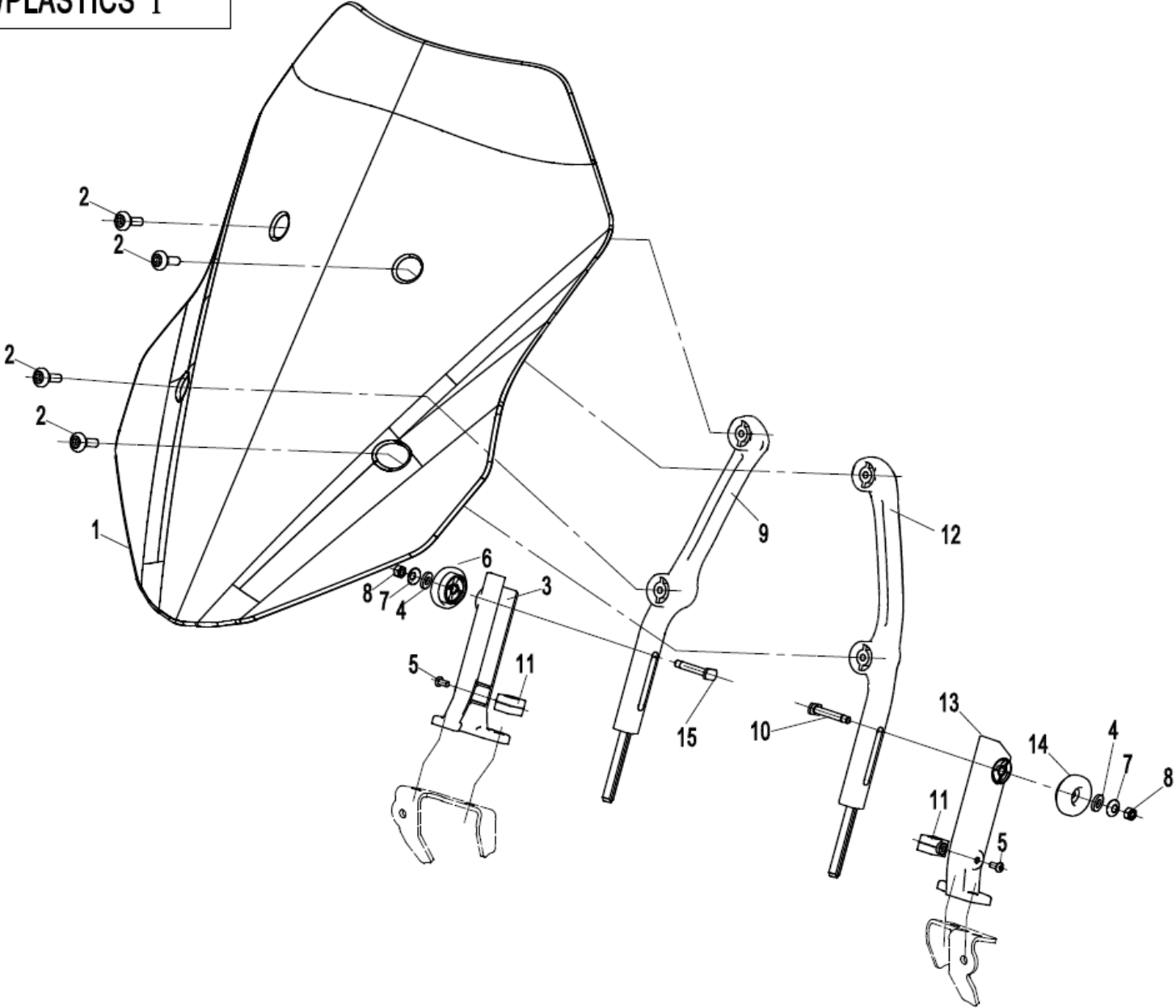


Item No	Parts Number	Parts Name(EN)	Parts Name(CN)	Qty	Remark(s)
01	6NTV-031000-B201-0BP00	FRAME ASSY	车架焊接组件	1	MAUD SPIRIT BLACK
02	6NTG-030160	UPPER BRACKET, RADIATOR	散热器上安装支架组合	1	
03	30006-060012810	BOLT M6x12	螺栓M6x12	13	M6x12
04	6NT1-030031	LH LOWER BRACKET, RADIATOR	散热器左下支架	1	
05	A000-180005	DAMPER2, RADIATOR	散热器减震胶垫Ⅱ	2	
06	30006-060016810	BOLT M6x16	螺栓	6	M6x16
07	30208-102810	NUT M10x1.25	螺母	1	M10x1.25
08	A000-030004	SIDE STAND SPRING SLEEVE	边撑弹簧护套	1	
09	A000-030210	SIDE STAND SPRING ASSY	边撑弹簧组合	1	
10	6NT1-030190	SIDE STAND ASSY	边撑焊接组件	1	
11	A000-030006	SIDE STAND BOLT	侧支架螺栓	1	
12	6NT1-030001	BRACKET, CANISTER	碳罐安装支架	1	
13	A000-030001	LH CLAMP, MAIN CABLE	主电缆左线夹	1	
14	30102-060012810	SCREW	内六角螺钉M6X12	4	
15	A000-030120	BRACKET, REGULATOR	车架调压器安装支架组合	1	
16	A000-030130	BRACKET 2, REGULATOR	调压器安装支架组合	1	
17	5020-031001	RUBBER SLEEVE, FRONT LICENSE BRACKET	前牌照支架橡胶胶套	2	
18	5020-031002	RUBBER SLEEVE LINER, FRONT LICENSE BRACKET	前牌照支架橡胶套衬套	2	
19	30006-060025810	BOLT	螺栓	2	M6x25
20	A000-040302	RUBBER DAMPER	油箱外护罩缓冲橡胶	7	
21	8080-040064	FRONT FENDER DAMPER	前围缓冲橡胶套	1	
22	30006-080028810	BOLT M8x28	螺栓	4	M8x28
23	6KJ0-030601-0BB0	BRACKET, REAR LICENSE	后牌照支撑板	1	MAUD SPIRIT BLACK
24	6KJ0-030200-0BB0	BRACKET, REAR LICENCE	后牌照安装支架	1	PLASTIC POWDER
25	6NT1-030100-0BB00	BRACKET, REAR FENDER	后挡泥板支架焊接组件	1	PLASTIC POWDER
26	A000-030150-00001	MOUNT BRACKET, FUEL TANK	油箱安装支架组合	1	
27	6NT1-030180	BRACKET ASSY, ABS CONTROLLER	ABS控制器安装支架组合	1	
28	A000-040702	INNER HEX SCREW M6x12	内六角螺钉M6x12	2	M6x12
31	6NT1-030400	FRONT BRACKET ASSY	前支架焊接组合	1	
32	A010-120003	BOLT M6x16	内六角螺钉M6X16	3	M6x16
33	30006-080020810	BOLT M8x20	螺栓	3	M8x20
34	30306-080112	WASHER	垫圈	3	8
35	30303-080112	WASHER	垫圈	3	8
36	30206-080510	NUT M8	盖形螺母	3	M8



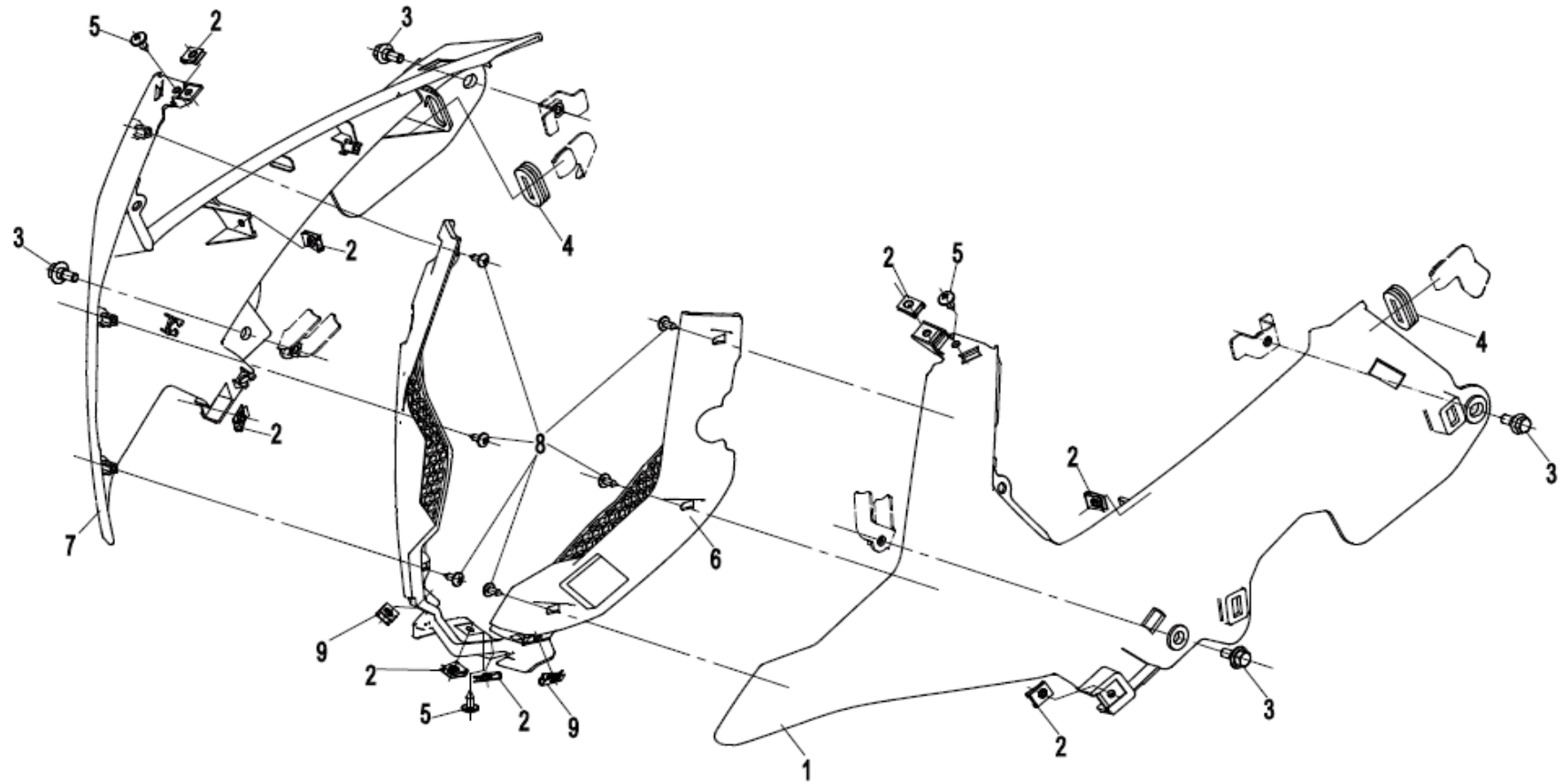
37	6NT1-030041	RH LOWER BRACKET, RADIATOR	散热器右下支架	1	
38	A000-050013	RUBBER MAT	胶垫	3	
39	A000-050014	BUSHING	衬套	3	
40	30305-060112	WASHER	垫圈	1	6
41	30110-421130010	SCREW	自攻螺钉	2	ST4.2x13
42	30006-050012810	BOLT	螺栓	1	M5x12
43	6KJ0-030920	MOUNTING SEAT, RH REFLECTOR	后反射器安装座	1	
44	6NT1-030050	LINKING BRACKET, ECU	ECU转接支架组合	1	
45	6NTC-030060	BRACKET, ROLL-OVER SENSOR	侧倾传感器安装支架	1	
46	6NTV-030040-2700	BRACKET, T-BOX	T-BOX安装支架	1	

F04-1-B 塑料件 I /PLASTICS I



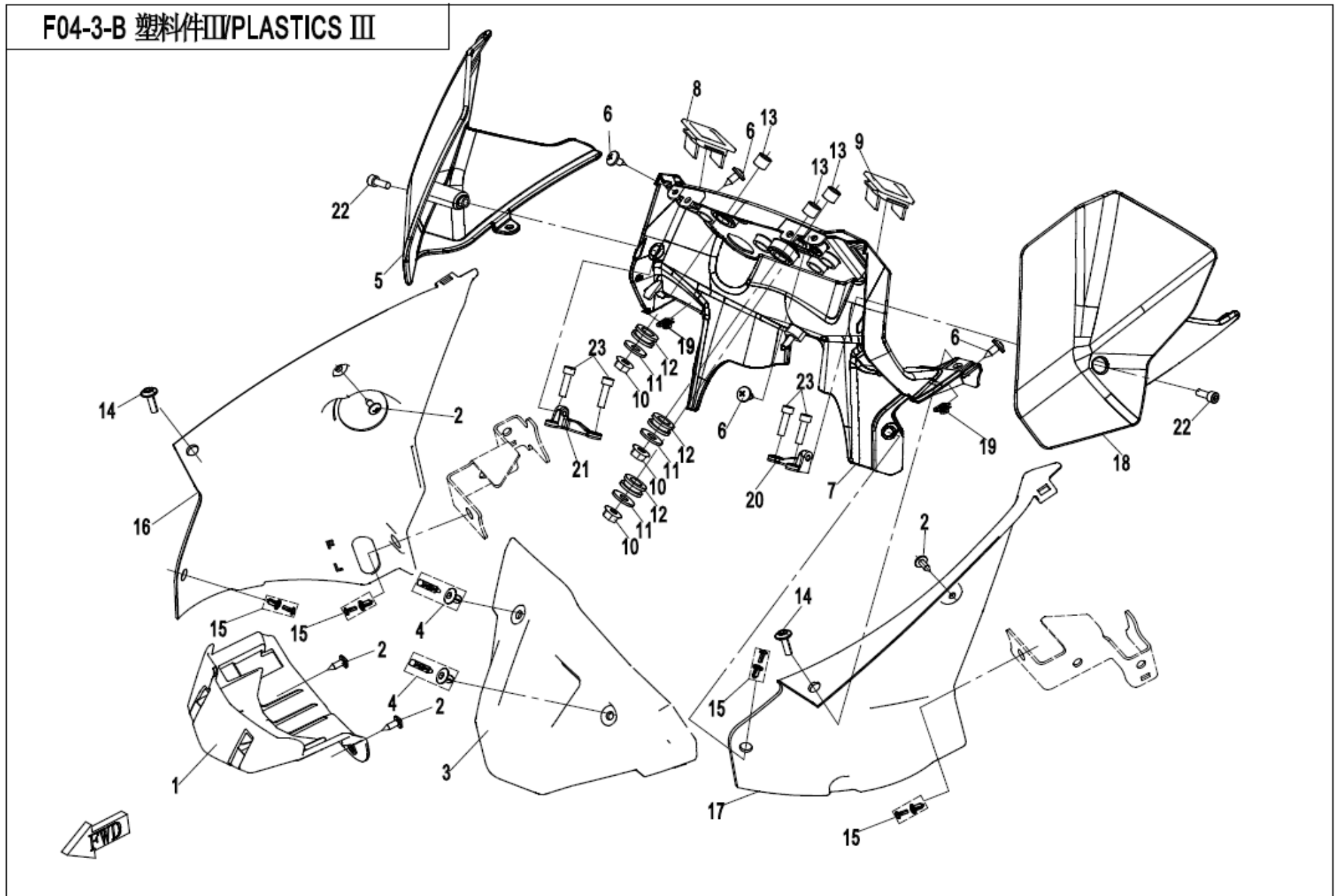
Item No	Parts Number	Parts Name(EN)	Parts Name(CN)	Qty	Remark(s)
01	6NT1-040102	WINDSHIELD	大挡风玻璃	1	
02	A000-060002	SCREW, CHAIN GUARD	链条护卡安装螺钉	4	
03	6NT1-041402-0V100	RH BRACKET, WINDSHIELD	挡风玻璃右支架	1	SILVER WHITE
04	30303-060112	WASHER	垫圈	2	6
05	A010-100102	INNER HEX SCREW M4x8	内六角螺钉M4x8	2	M4x8
06	6NT1-041411	RH ADJUSTING BUTTON, WINDSHIELD	风挡机构右调节按钮	1	
07	6NT1-041406	WASHER Dia 5	鞍型垫圈5	2	
08	30200-040810	NUT M4	螺母	2	M4
09	6NT1-041403-1V100	RH BRACKET MOVTING LEVER, WINDSHIELD	挡风玻璃右支架活动杆	1	
10	6NT1-041315	LH BRACKET PIN SHAFT, WINDSHIELD	风挡机构左支架销轴	1	
11	6NT1-041404-0V100	FIXED BLOCK, WINDSHIELD BRACKET ROD	挡风玻璃支架活动杆固定块	2	SILVER WHITE
12	6NT1-041303-1V100	LH BRACKET MOVTING LEVER, WINDSHIELD	挡风玻璃左支架活动杆	1	
13	6NT1-041302-0V100	LH BRACKET, WINDSHIELD	挡风玻璃左支架	1	SILVER WHITE
14	6NT1-041311	LH ADJUSTING BUTTON, WINDSHIELD	风挡机构左调节按钮	1	
15	6NT1-041415	RH BRACKET PIN SHAFT, WINDSHIELD	风挡机构右支架销轴	1	

F04-2 塑料件 II/PLASTICS II



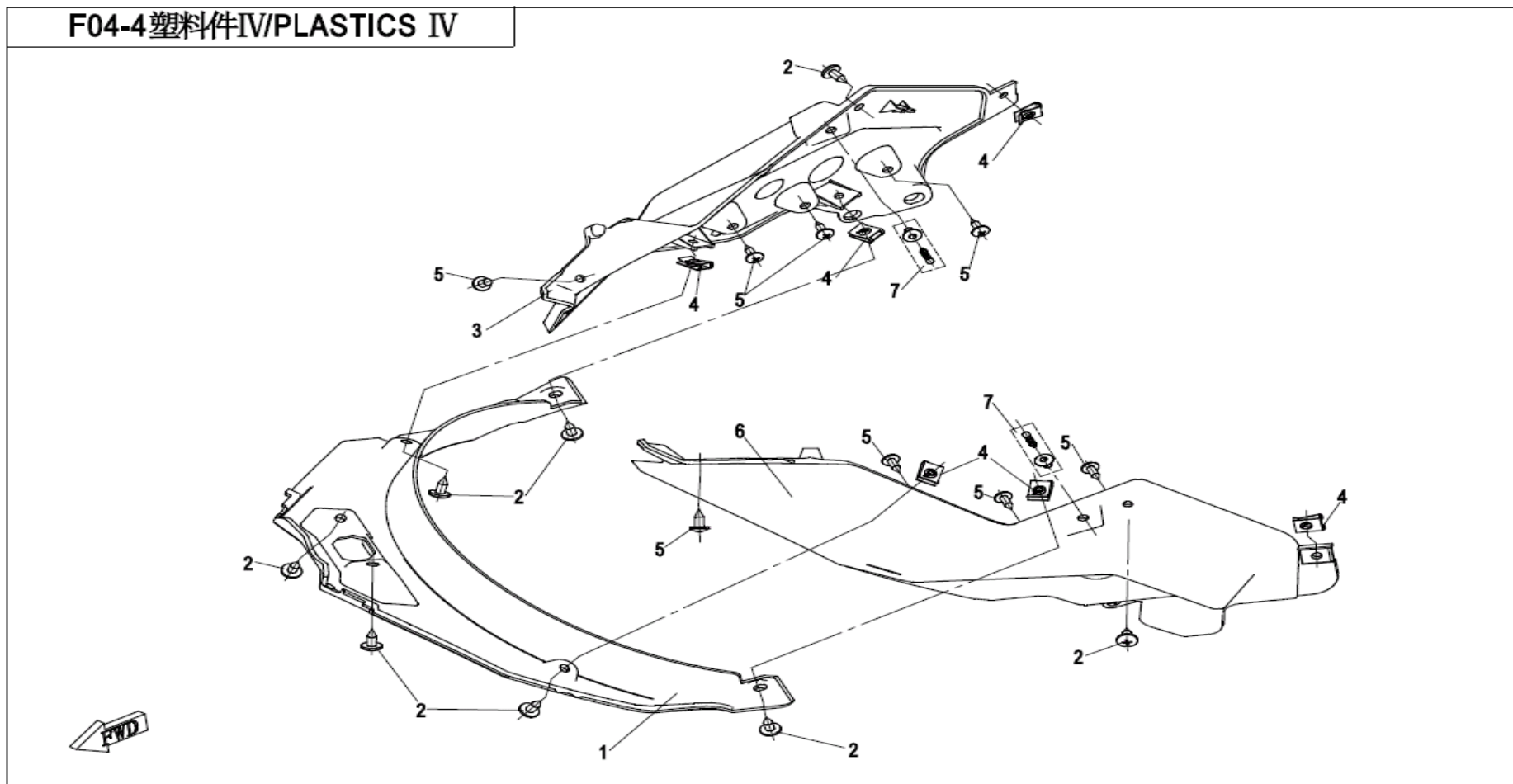
Item No	Parts Number	Parts Name(EN)	Parts Name(CN)	Qty	Remark(s)
01	6NT1-040501-0VE00	LH FRONT PANEL (NEBULA WHITE)	左前护板	1	
01	6NT1-040501-0EK00	LH FRONT PANEL (ATHENS BLUE)	左前护板	1	
02	8080-000002	CLIP NUT ST4.8	夹板ST4.8	10	ST4.8
03	8010-000004	BOLT M6x14	凸缘螺栓M6x14	4	M6x14
04	5280-030009	RUBBER RING, SIDE COVER	侧盖胶圈	2	
05	30110-481130010	SCREW	自攻螺钉	6	ST4.8x13
06	6NT1-040401	HEAD PROTECTOR	头罩	1	
07	6NT1-040601-0VE00	RH FRONT PANEL (NEBULA WHITE)	右前护板	1	NEBULA WHITE
07	6NT1-040601-0EK00	RH FRONT PANEL (ATHENS BLUE)	右前护板	1	ATHENS BLUE
08	30110-421130010	SCREW	自攻螺钉	6	ST4.2x13
09	8010-000002	TOOL	夹板ST4.2	2	ST4.2

F04-3-B 塑料件 III/PLASTICS III



Item No	Parts Number	Parts Name(EN)	Parts Name(CN)	Qty	Remark(s)
01	6NT1-040301-00001	HEADLIGHT UPPER COVER BRACKET	前照灯上盖板安装板	1	
02	30110-421130010	SCREW	自攻螺钉	4	ST4.2x13
03	6NNTV-040201-2700	HEADLIGHT UPPER COVER	前照灯上盖板	1	
04	8080-041130	PLASTIC SCREW	塑料膨胀螺钉组合	2	
05	6NT1-041006	RH DEFLECTOR	右导流罩	1	
06	30110-481130010	SCREW	自攻螺钉	4	ST4.8x13
07	6NNTV-041001-2700	DASHBOARD GUARD	仪表罩	1	
08	6NT1-041003	RH RUBBER COLLAR, DASHBOARD COVER	仪表罩右橡胶套	1	
09	6NT1-041002	LH RUBBER COLLAR, DASHBOARD COVER	仪表罩左橡胶套	1	
10	30202-060110	NUT M6	螺母	3	M6
11	30305-060112	WASHER	垫圈	3	6
12	A000-050013	RUBBER MAT	胶垫	3	
13	A000-050014	BUSHING	衬套	3	
14	A000-040703	INNER HEX SCREW	内六角螺钉M6x20	2	M6x20
15	9060-040310	PLASTIC CLIPS	塑料卡组合	4	
16	6NT1-041201	RH INNER PANEL	右内护板	1	
17	6NT1-041101	LH INNER PANEL	左内护板	1	
18	6NT1-041005	LH DEFLECTOR	左导流罩	1	
19	8030-040800-00001	NUT CLIP	M6螺母夹	2	M6
20	6NT1-041011	BRACKET, LH DEFLECTOR	左导流罩支架	1	
21	6NT1-041012	BRACKET, RH DEFLECTOR	右导流罩支架	1	
22	30102-060016810	SCREW	螺钉M6x16	2	
23	30102-060022810	SCREW M6x22	螺钉	4	M6x22

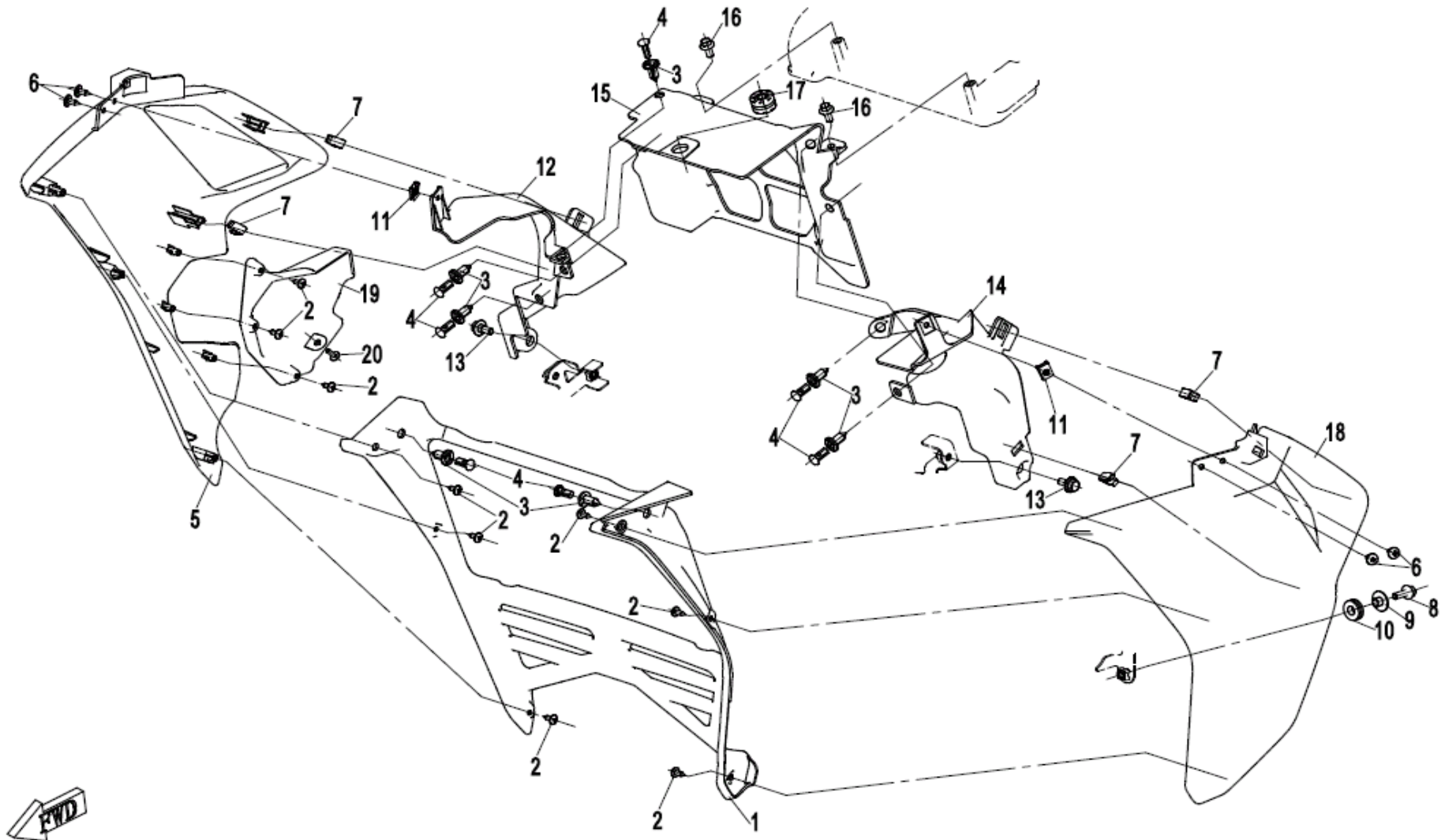
F04-4 塑料件IV/PLASTICS IV



Item No	Parts Number	Parts Name(EN)	Parts Name(CN)	Qty	Remark(s)
01	6NT1-040901	FRONT LOWER PANEL	前下护板	1	
02	30110-481130010	SCREW	自攻螺钉	8	ST4.8x13
03	6NT1-040801	CONNECTING PLATE, RH FRONT TURN LIGHT	右前转向灯安装连接板	1	
04	8080-000002	CLIP NUT ST4.8	夹板ST4.8	6	ST4.8
05	30110-421130010	SCREW	自攻螺钉	8	ST4.2x13
06	6NT1-040701	CONNECTING PLATE, LH FRONT TURN LIGHT	左前转向灯安装连接板	1	
07	8080-041130	PLASTIC SCREW	塑料膨胀螺钉组合	2	

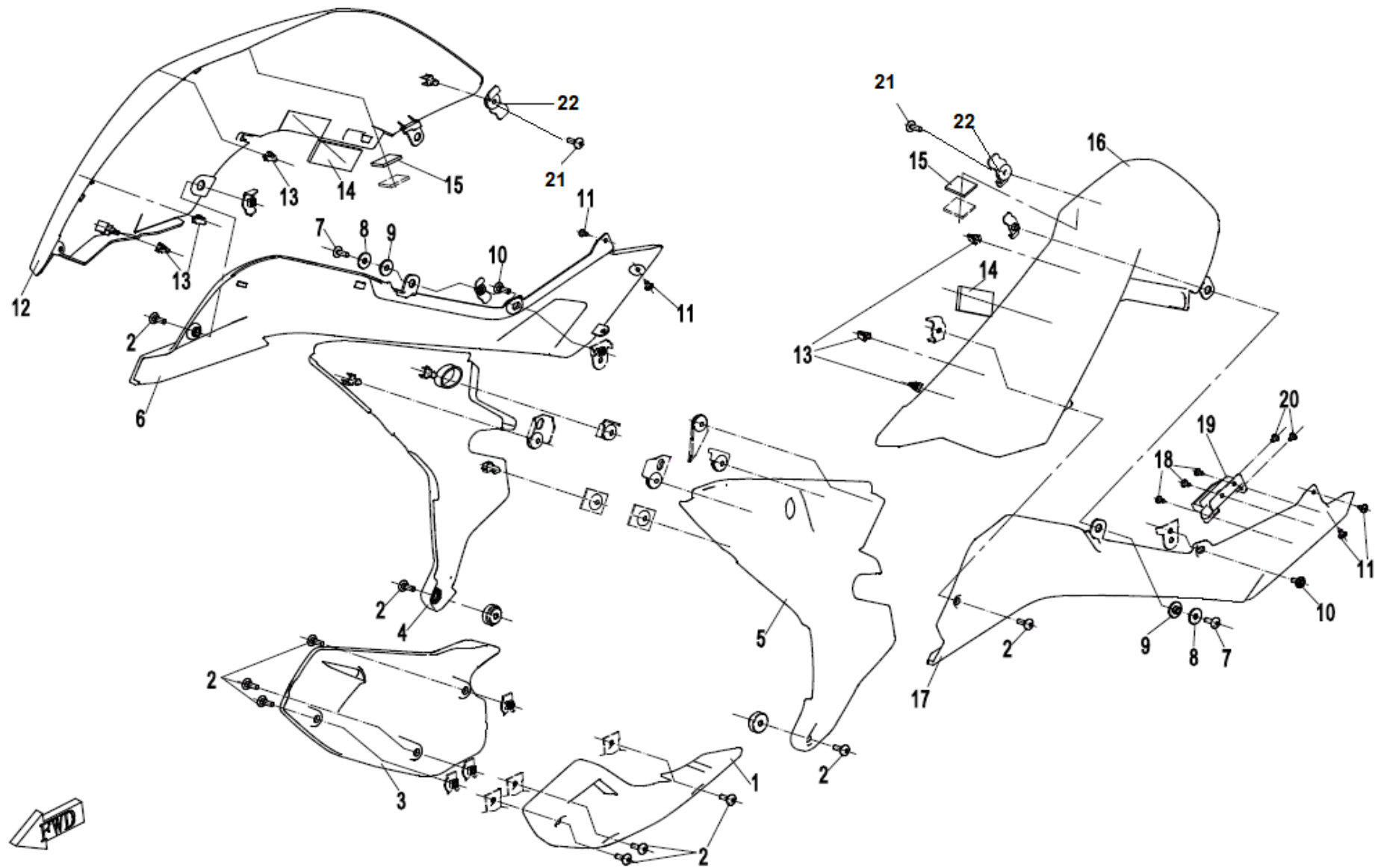


F04-5 塑料件 V/PLASTICS V



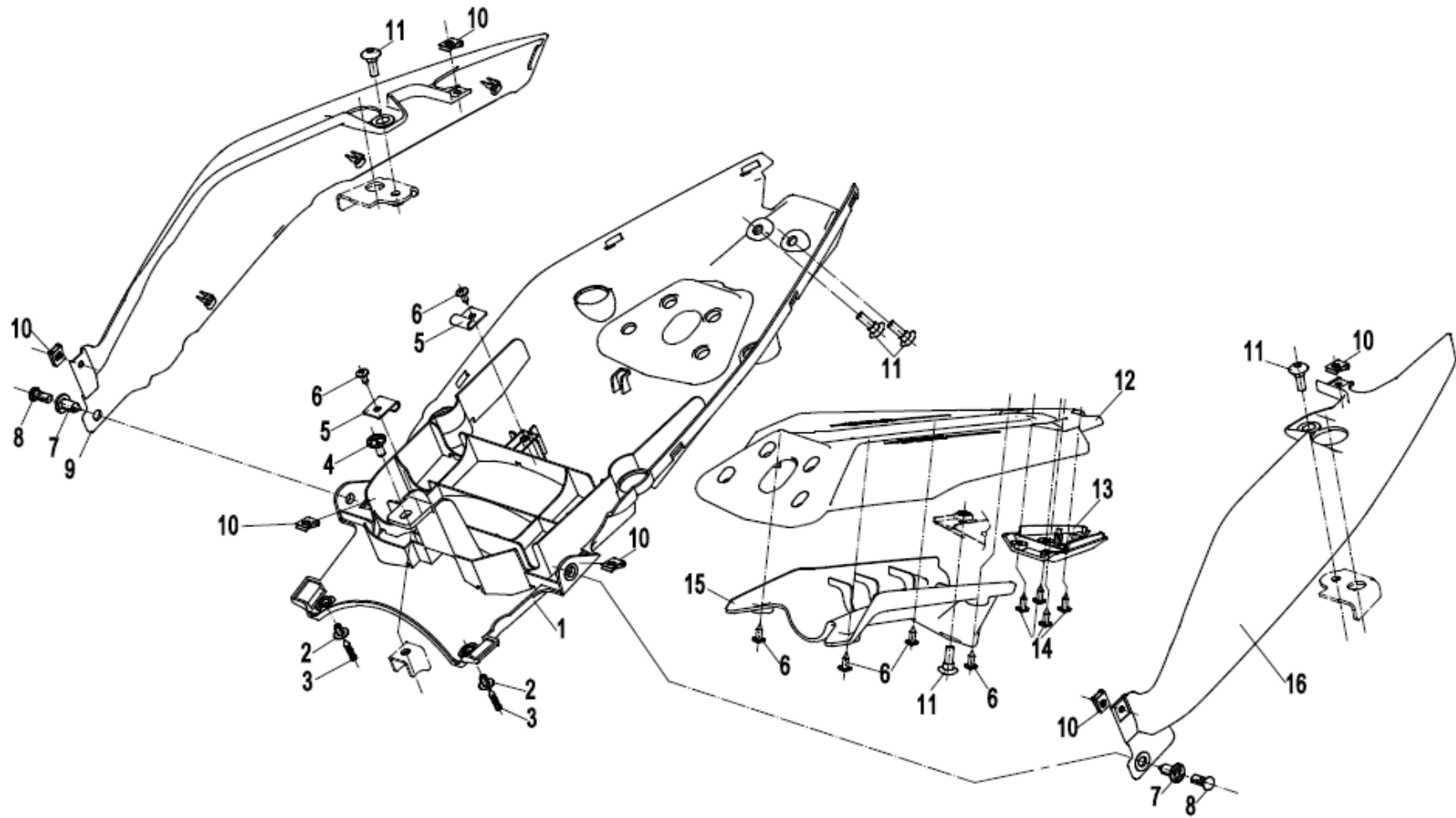
Item No	Parts Number	Parts Name(EN)	Parts Name(CN)	Qty	Remark(s)
01	6NT1-041901	FRONT FENDER, WATER TANK	水箱前挡板	1	
02	30110-421130010	SCREW	自攻螺钉	9	ST4.2x13
03	9060-040312	SEAT, PLASTIC CLIP	塑料卡座	7	
04	9060-040311	PLASTIC CLIP	塑料卡	7	
05	6NT1-041801	RH PANEL, RESERVOIR TANK	水箱右护板	1	
06	30110-481130010	SCREW	自攻螺钉	4	ST4.8x13
07	8080-000001	CLASP	卡扣	4	
08	30006-060016810	BOLT M6x16	螺栓	1	M6x16
09	9010-160102	HEADLIGHT STEEL BUSHING	前照灯钢套	1	
10	9010-160101	HEADLIGHT RUBBER DAMPER	前照灯胶垫	1	
11	8080-000002	CLIP NUT ST4.8	夹板ST4.8	2	ST4.8
12	6NT1-042901	RH FENDER(REAR), WATER TANK	水箱后右挡板	1	
13	8010-000004	BOLT M6x14	凸缘螺栓M6x14	2	M6x14
14	6NT1-042801	LH FENDER(REAR), WATER TANK	水箱后左挡板	1	
15	6NT1-042701	MIDDLE FENDER(REAR), WATER TANK	水箱后中挡板	1	
16	30006-060012810	BOLT M6x12	螺栓M6x12	2	M6x12
17	5020-031001	RUBBER SLEEVE, FRONT LICENSE BRACKET	前牌照支架橡胶胶套	1	
18	6NT1-041701	LH PANEL, RESERVOIR TANK	水箱左护板	1	
19	6NT1-041802	DECO PLATE, RESERVOIR TANK RH PANEL	水箱右护板装饰板	1	
20	A000-040202	INNER HEX SCREW M5x14	内六角螺钉M5x14	1	M5x14

F04-6 塑料件 VI/PLASTICS VI



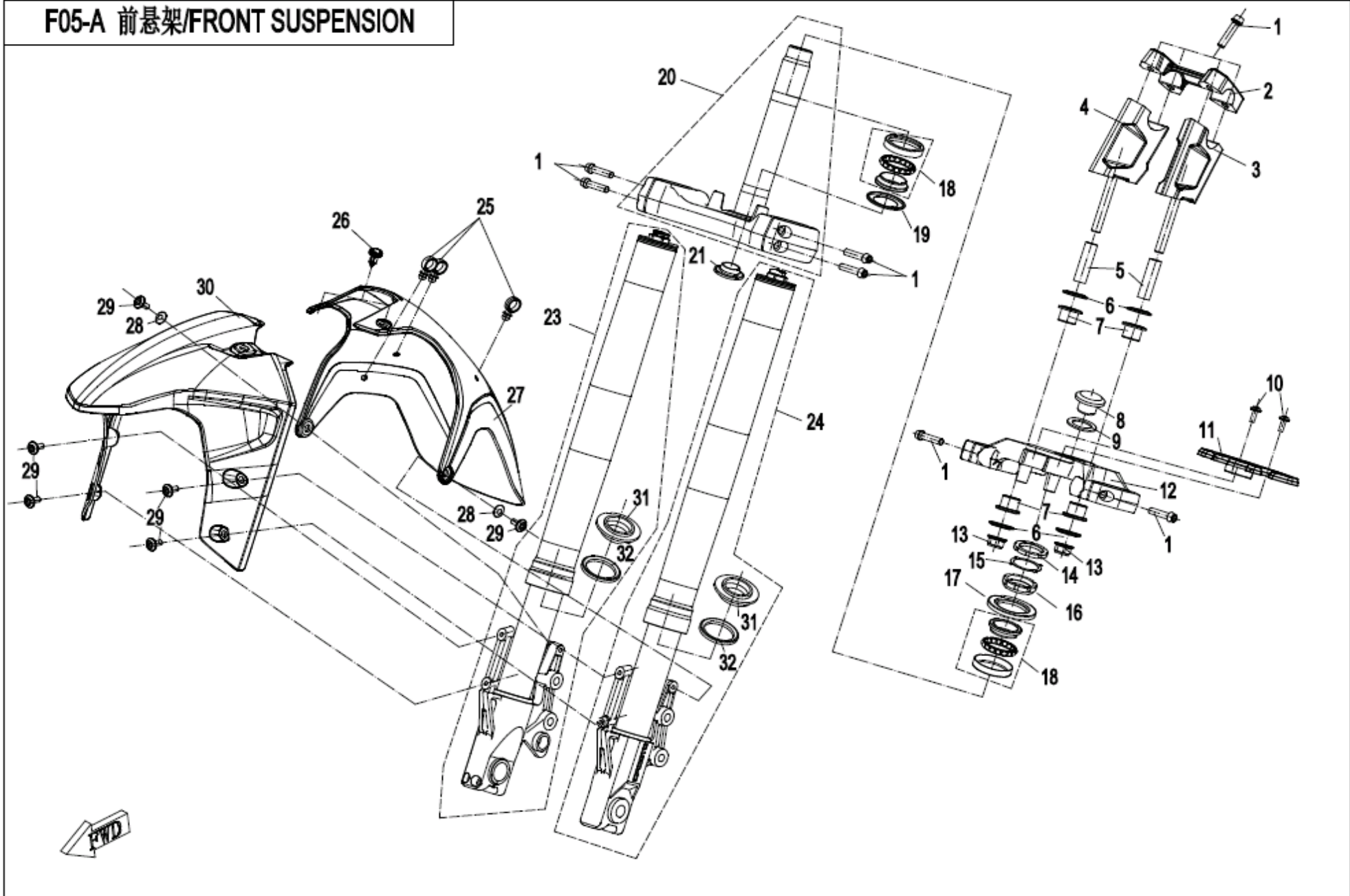
Item No	Parts Number	Parts Name(EN)	Parts Name(CN)	Qty	Remark(s)
01	6NT1-043101	LH PANEL, ENGINE	发动机左护板	1	
02	A000-060002	SCREW, CHAIN GUARD	链条护卡安装螺钉	10	
03	6NT1-043201	RH PANEL, ENGINE	发动机右护板	1	
04	6NT1-042301-00001	RH PANEL, FRAME	车架右护板	1	
05	6NT1-042201-00001	LH PANEL, FRAME	车架左护板	1	
06	6NT1-042101-0BM00	RH PANEL, SEAT	坐垫右护板	1	NEBULA BLACK
07	6NQ#-000206-6001	BOLT M6x16	内六角螺钉M6X16	2	M6x16
08	30301-060412	WASHER	垫圈	2	6
09	8080-140004	LOCK BUSHING, REAR RACK	后货架锁孔衬套	2	
10	8030-040020-1000	SCREW M6x17.5	音箱盖螺钉M6x17.5	2	M6x17.5 ARMY GREEN
11	30110-481130010	SCREW	自攻螺钉	4	ST4.8x13
12	6NT1-041601-0ER00	FUEL TANK RH PANEL (ATHENS BLUE+MATTE TITANIUM GREY)	油箱右护板	1	FOR BLUE BIKE
12	6NT1-041601-0VJ00	FUEL TANK RH PANEL (NEBULA WHITE+MATTE TITANIUM GREY)	油箱右护板	1	FOR WHITE BIKE
13	8080-000001	CLASP	卡扣	6	
14	9010-120008	FUEL TANK SPONGE	油箱海绵块	2	
15	6NT1-041510	BUCKLE ASSY	蘑菇搭扣组合	2	
16	6NT1-041501-0ER00	FUEL TANK LH PANEL (ATHENS BLUE+MATTE TITANIUM GREY)	油箱左护板	1	FOR BLUE BIKE
16	6NT1-041501-0VJ00	FUEL TANK LH PANEL (NEBULA WHITE+MATTE TITANIUM GREY)	油箱左护板	1	FOR WHITE BIKE
17	6NT1-042001-0BM00	LH PANEL, SEAT	坐垫左护板	1	NEBULA BLACK
18	30110-421130010	SCREW	自攻螺钉	3	ST4.2x13
19	6KJ0-041801-00001	GUARD, SEAT LOCK	座垫锁保护罩	1	
20	30105-050012410	SCREW M5x12	螺钉	2	M5x12
21	6KM#-040082-8000	SCREW KIT M5	M5组合台阶螺钉	2	
22	6NTV-041502-4000	FUEL TANK PANEL BRACKET	油箱护板卡座	2	

F04-7 塑料件 VII PLASTICS VII



Item No	Parts Number	Parts Name(EN)	Parts Name(CN)	Qty	Remark(s)
01	6NTV-042601-B200	FRAME BASE PLATE	车架底板	1	
02	8080-041130	PLASTIC SCREW	塑料膨胀螺钉组合	2	
03	8080-041131	PLASTIC STUD	塑料膨胀螺钉柱	2	
04	8030-040020-1000	SCREW M6x17.5	音箱盖螺钉M6x17.5	1	M6x17.5 ARMY GREEN
05	A000-030005	TIE BAND BRACKET, TOOLS KIT	随车工具拉带支架	2	
06	30110-421130010	SCREW	自攻螺钉	6	ST4.2x13
07	9060-040312	SEAT, PLASTIC CLIP	塑料卡座	2	
08	9060-040311	PLASTIC CLIP	塑料卡	2	
09	6NT1-042501-0BA00	RH PANEL, TAIL LIGHT	尾灯右护板	1	TITANIUM GREY MATTE
10	8080-000002	CLIP NUT ST4.8	夹板ST4.8	6	ST4.8
11	A000-060002	SCREW, CHAIN GUARD	链条护卡安装螺钉	5	
12	6NT1-043001	REAR FENDER	后泥板	1	
13	6KJ0-042701	HOLDER, REAR LICENCE LIGHT	后牌照灯固定板	1	
14	30110-420095010	SELF-TAPPING SCREW ST4.2x9.5	自攻螺钉	4	ST4.2x9.5
15	6NT1-043301	INNER BUSHING, REAR FENDER	后泥板内衬	1	
16	6NT1-042401-0BA00	LH PANEL, TAIL LIGHT	尾灯左护板	1	TITANIUM GREY MATTE

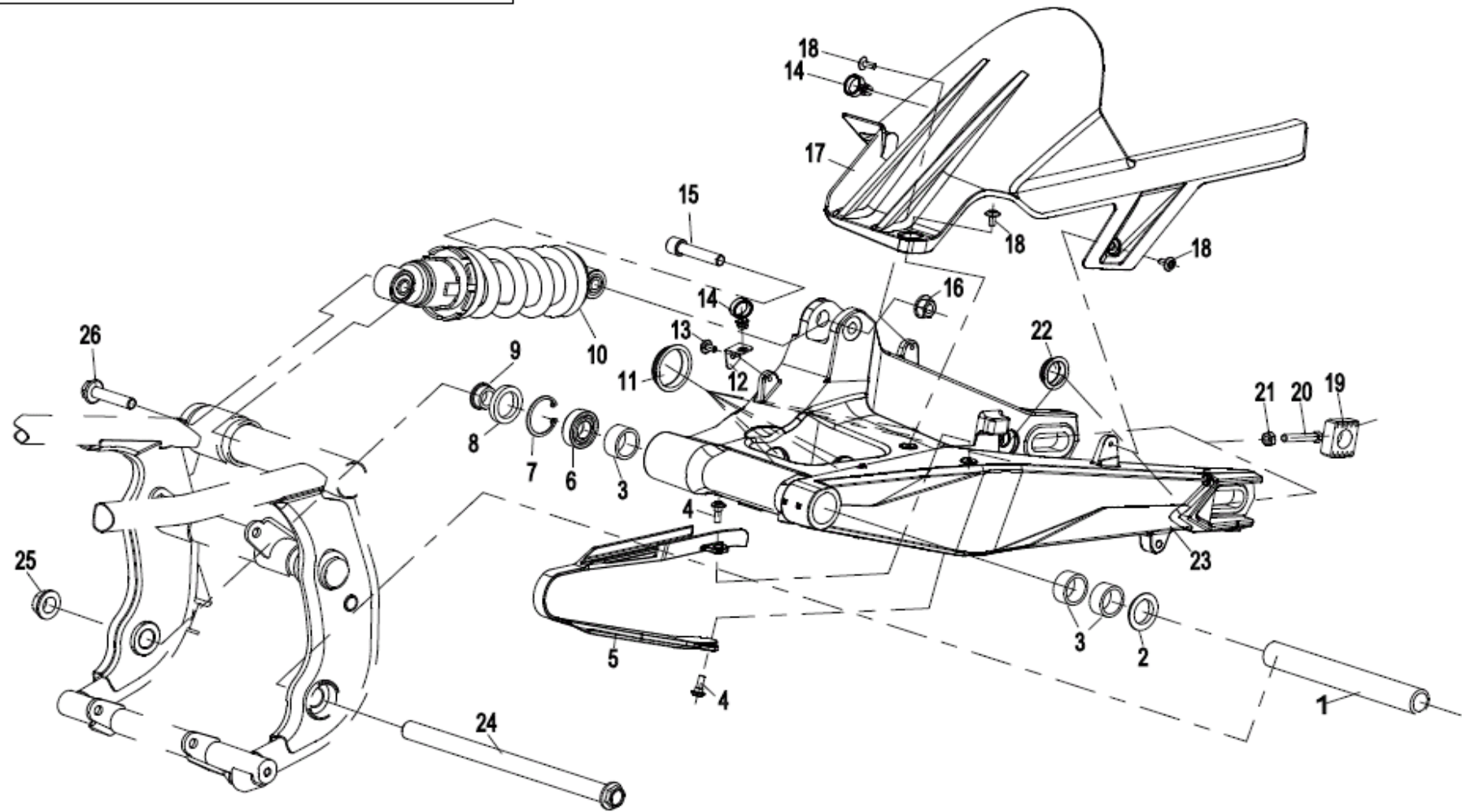
F05-A 前悬架/FRONT SUSPENSION



Item No	Parts Number	Parts Name(EN)	Parts Name(CN)	Qty	Remark(s)
01	A000-050018	INNER HEX SCREW M8x35	内六角圆锥头螺钉M8X35	10	M8x35
02	6NTV-050002-2400	PRESS COVER, HANDLEBAR	方向把压盖	1	
03	6NTV-100040-2400-0B200	HANDLEBAR LH SUPPORT ASSY	方向把左支承座组合	1	MATTE BLACK
04	6NTV-100050-2400-0B200	HANDLEBAR RH SUPPORT ASSY	方向把右支承座组合	1	MATTE BLACK
05	6NT1-050005	LINER, UPPER TRIPLE CLAMP	上连板衬管	2	
06	6KJ0-050005	WASHER	垫圈	4	
07	6KJ0-050004	DAMPER RUBBER, UPPER TRIPLE CLAMP	上连板缓冲橡胶	4	
08	6NTA-050003	LOCK SCREW, UPPER TRIPLE CLAMP	上连板紧固螺钉	1	
09	A000-050004	WASHER	垫圈	1	5
10	A000-040202	INNER HEX SCREW M5x14	内六角螺钉M5x14	2	M5x14
11	6NTA-100118-0B200	CLIP	蝴蝶线夹	1	MATTE BLACK
12	6NTV-050001-B100	UPPER TRIPLE CLAMP	上连板	1	
13	30204-102810	NUT M10x1.25	螺母	2	M10x1.25
14	A000-050006	LOCK NUT 1	锁紧螺母 I	1	
15	A000-050008	WASHER	垫圈	1	5
16	A000-050007	LOCK NUT 2	锁紧螺母 II	1	
17	A000-050009	DUST CAP, UPPER RETAINER	上挡圈防尘盖	1	
18	A000-050100-10000	STEERING BEARING ASSY	转向轴承组合	2	
19	A000-050400	ANTI-DUST CAP, LOWER RETAINING RING	下挡圈防尘盖组件	1	
20	6NTG-050300-0B200	LOWER TRIPLE CLAMP, FRONT FORK	下连板组合	1	MATTE BLACK
21	A000-050011	RUBBER PLUG 2	橡胶塞 II	1	
23	6NTC-050600	FRONT RH SHOCK ABSORBER	前右减震器	1	GOLDEN
24	6NTC-050500	FRONT LH SHOCK ABSORBER	前左减震器	1	GOLDEN
25	A000-050015	WIRE CLIP, FRONT BRAKE FLUID HOSE	前制动油管夹	3	
26	9060-040310	PLASTIC CLIPS	塑料卡组合	2	
27	6NT1-050004-0B800	REAR PART, FRONT FENDER	前泥板后体	1	MATTE PEARL BLACK
28	6NTG-050002	NYLON GASKET Dia 8	尼龙垫圈Φ8	2	
29	A000-060002	SCREW, CHAIN GUARD	链条护卡安装螺钉	6	
30	6NT1-050003-0BM00	FRONT PART, FRONT FENDER	前泥板前体	1	NEBULA BLACK
31	6NT1-050510	DUST SEAL, FRONT SHOCK ABSORBER	前减震器防尘罩	2	
32	6NT1-050520	OIL SEAL, FRONT SHOCK ABSORBER	前减震器油封	2	

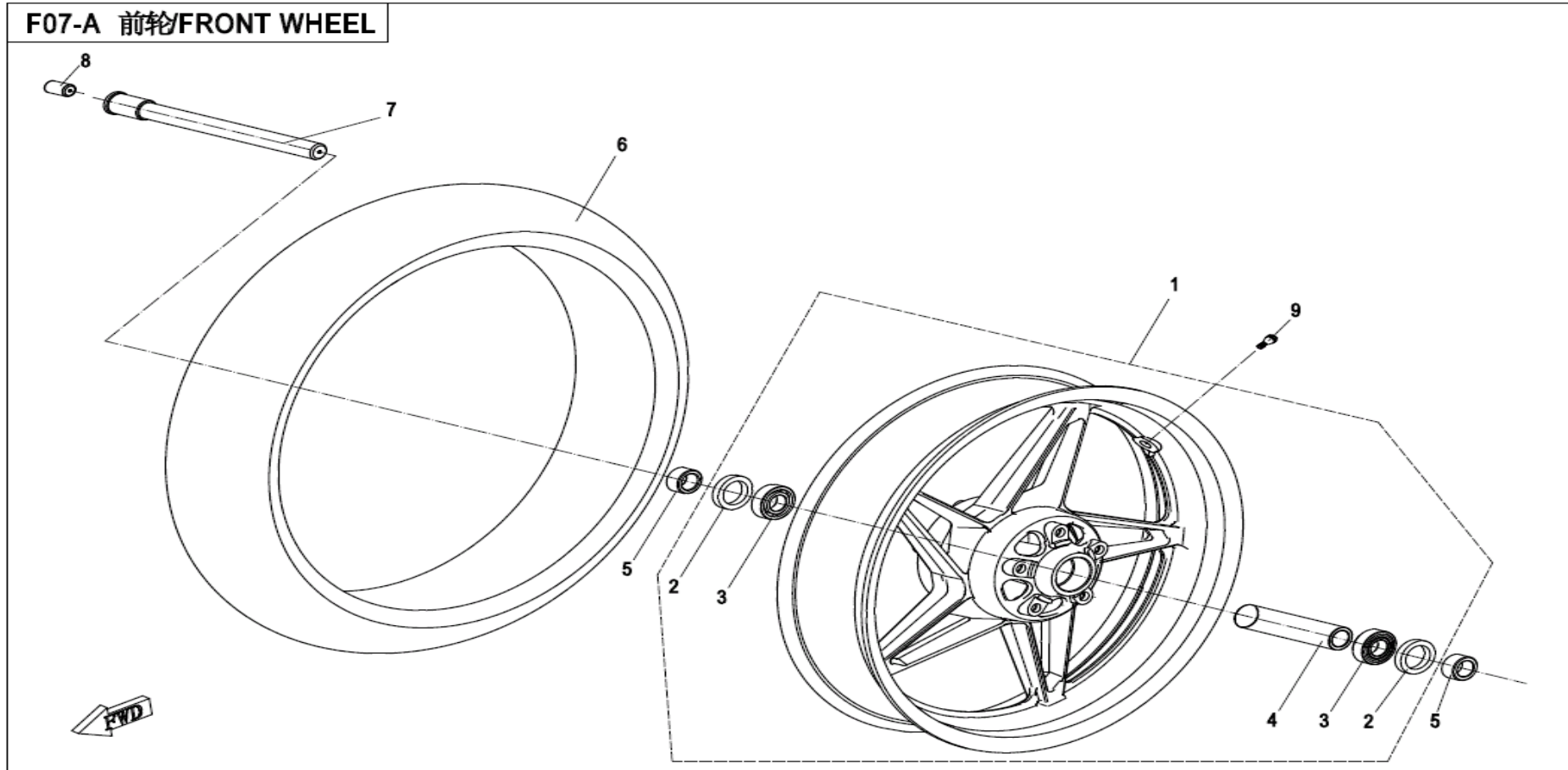


F06-A 后悬架/REAR SUSPENSION

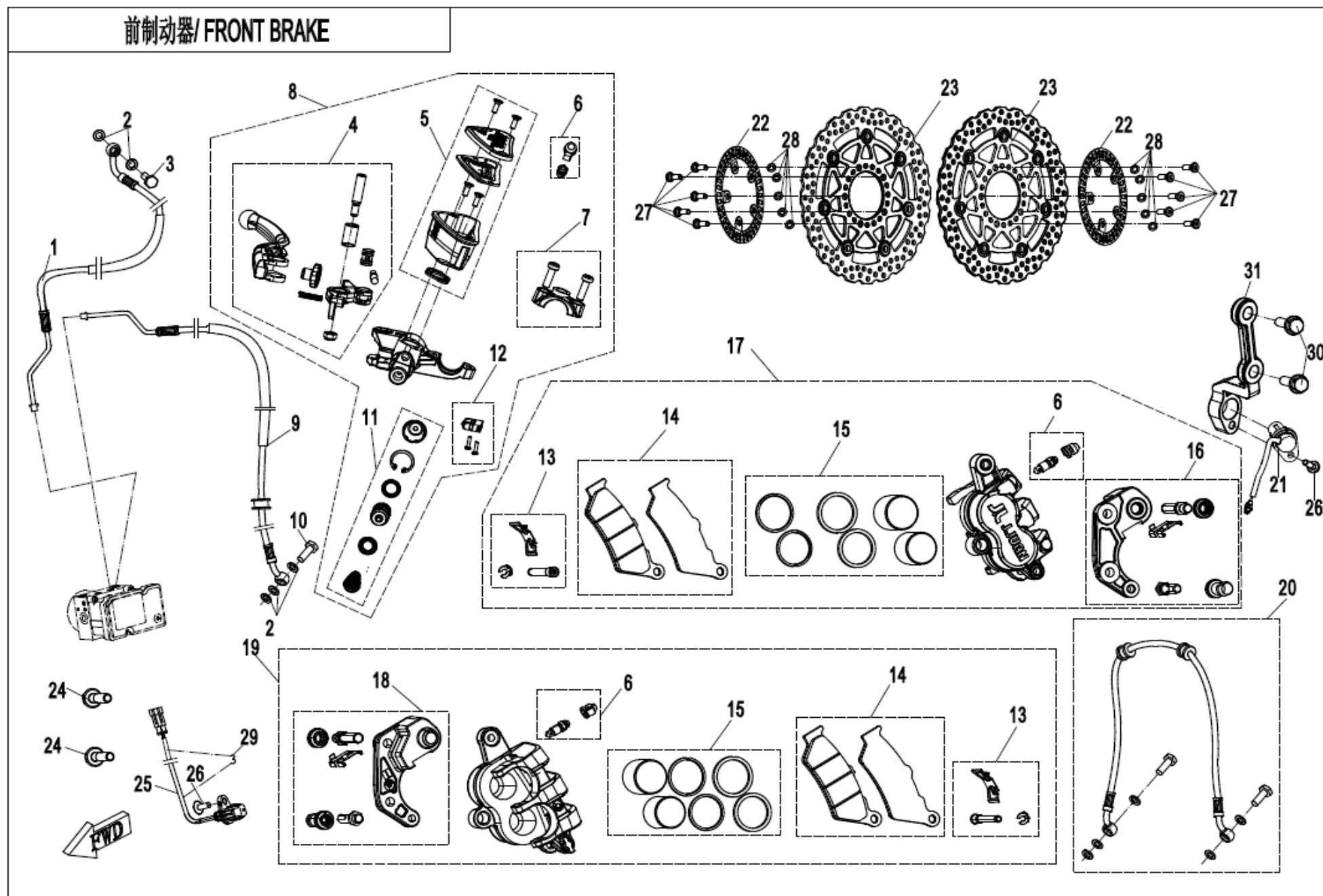


Item No	Parts Number	Parts Name(EN)	Parts Name(CN)	Qty	Remark(s)
01	A000-060005	SLEEVE, REAR SWING ARM	后摇架内衬管	1	
02	A000-060006	ANTI-DUST RING	防尘圈	1	
03	30403-02800	NEEDLE BEARING	滚针轴承	3	HK28x35x16
04	A000-060002	SCREW, CHAIN GUARD	链条护卡安装螺钉	2	
05	6NT1-060005	CHAIN GUARD	链条护卡	1	
06	30400-02004	BEARING	滚动轴承	1	6004-2RZ
07	30800-04205	CIRCLIP FOR HOLE 42	孔用弹性挡圈42	1	42 A-TYPE
08	30500-030800N	OIL SEAL	油封	1	FB30x42x 7
09	A000-060007	RH BUSHING, REAR SWING ARM	后摇架右衬套	1	
10	6NT1-060100-0B200	REAR SHOCK ABSORBER	后减震器	1	MATTE BLACK
11	6NT1-060002	DUST CAP, BIG	大防尘盖	7	
12	6NT1-060006	SEAT, OIL PIPELINE	油管线夹座	1	
13	30006-060010810	BOLT M6x10	螺栓	1	GB5789 M6x10 TRIVALENT CHROMIUM 8.8
14	A000-050015	WIRE CLIP, FRONT BRAKE FLUID HOSE	前制动油管夹	2	
15	6NT1-060001	REAR SHOCK ABSORBER BOLT	后减震器安装螺栓	1	
16	30204-122810	NUT M12x1.25	螺母	1	M12x1.25
17	6NT1-060302	FENDER, REAR SWING ARM	后摇架挡泥板	1	
18	A000-040702	INNER HEX SCREW M6x12	内六角螺钉M6x12	3	M6x12
19	6NT1-060004	CHAIN ADJUSTOR	链条调节器	2	
20	30004-080050810	BOLT M8x50	螺栓	2	M8x50
21	30200-080810	NUT M8	螺母	2	M8
22	6NT1-060003	DUST CAP, SMALL	小防尘盖	2	
23	6NT1-060301-10000	REAR FORK	后平叉	1	
24	A000-060003	SHAFT, REAR FORK	后叉轴	1	
25	A000-060004	NUT M20x1.5	螺母	1	M20x1.5
26	A000-060011	HEX FLANGE BOLT	六角法兰面螺栓	1	

F07 前轮 FRONT WHEEL

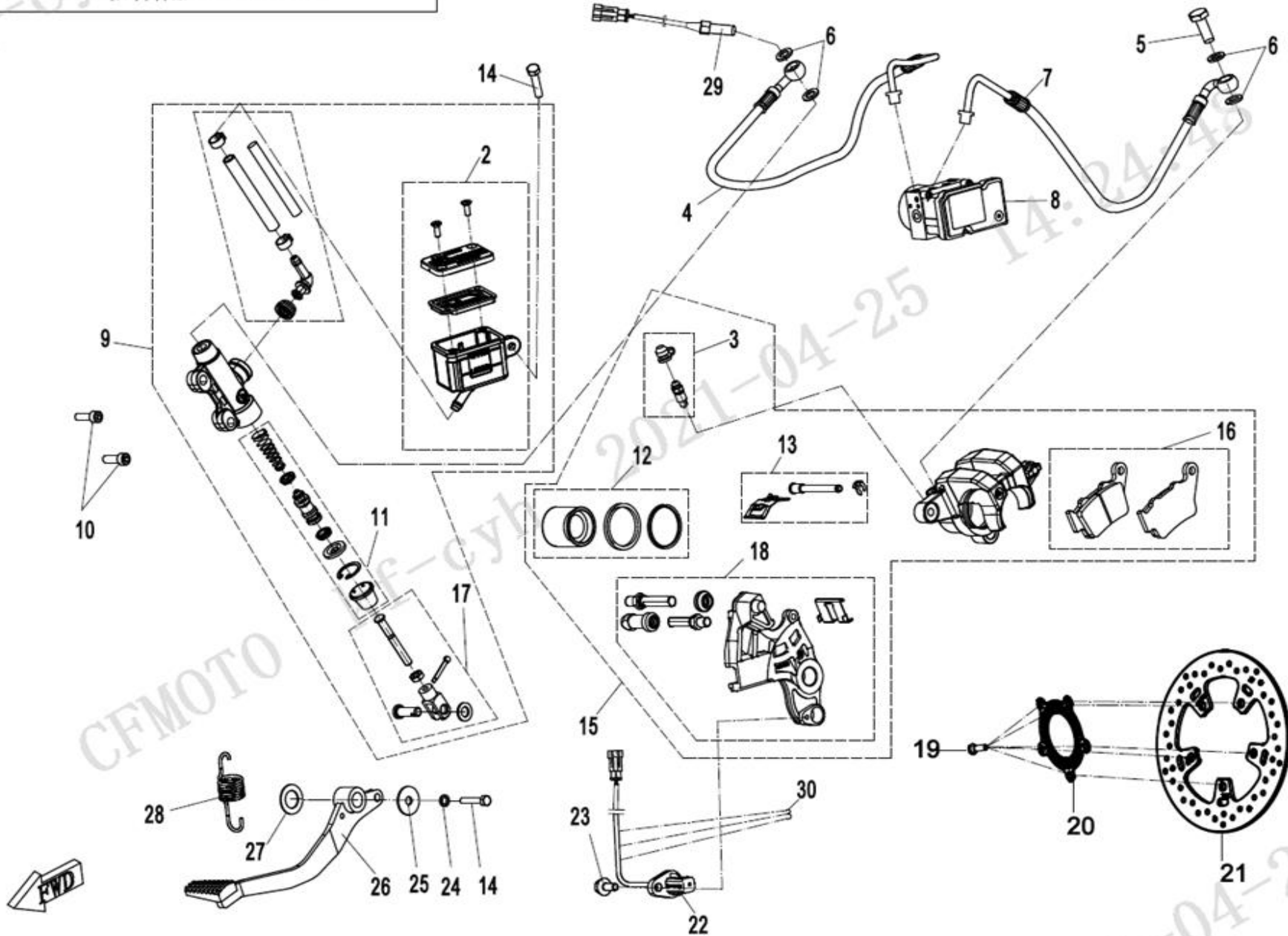


Item No	Parts Number	Parts Name(EN)	Parts Name(CN)	Qty	Remark(s)
01	6NNTV-070100-6003-0B200	FRONT RIM ASSY	前轮辋组合	1	MATTE BLACK
02	30501-030800N	OIL SEAL	油封	2	FB30x42x7
03	30400-02082	BEARING	滚动轴承	2	
04	6NQV-071102-2000	CENTER SPACER, FRONT RIM	前轮辋中隔套	1	
05	A000-070002	BUSHING, FRONT AXLE	前轮轴衬套	2	
06	30705-1751	TIRE	轮胎	1	
07	A000-070001	AXLE, FRONT WHEEL	前轮轴	1	WITH KYB SHOCK ABSORBER
08	A000-050016	RUBBER PLUG, FRONT WHEEL AXLE	前轮轴橡胶塞	1	
09	5190-070030-1000	VALVE, INFLATION	气门嘴	1	



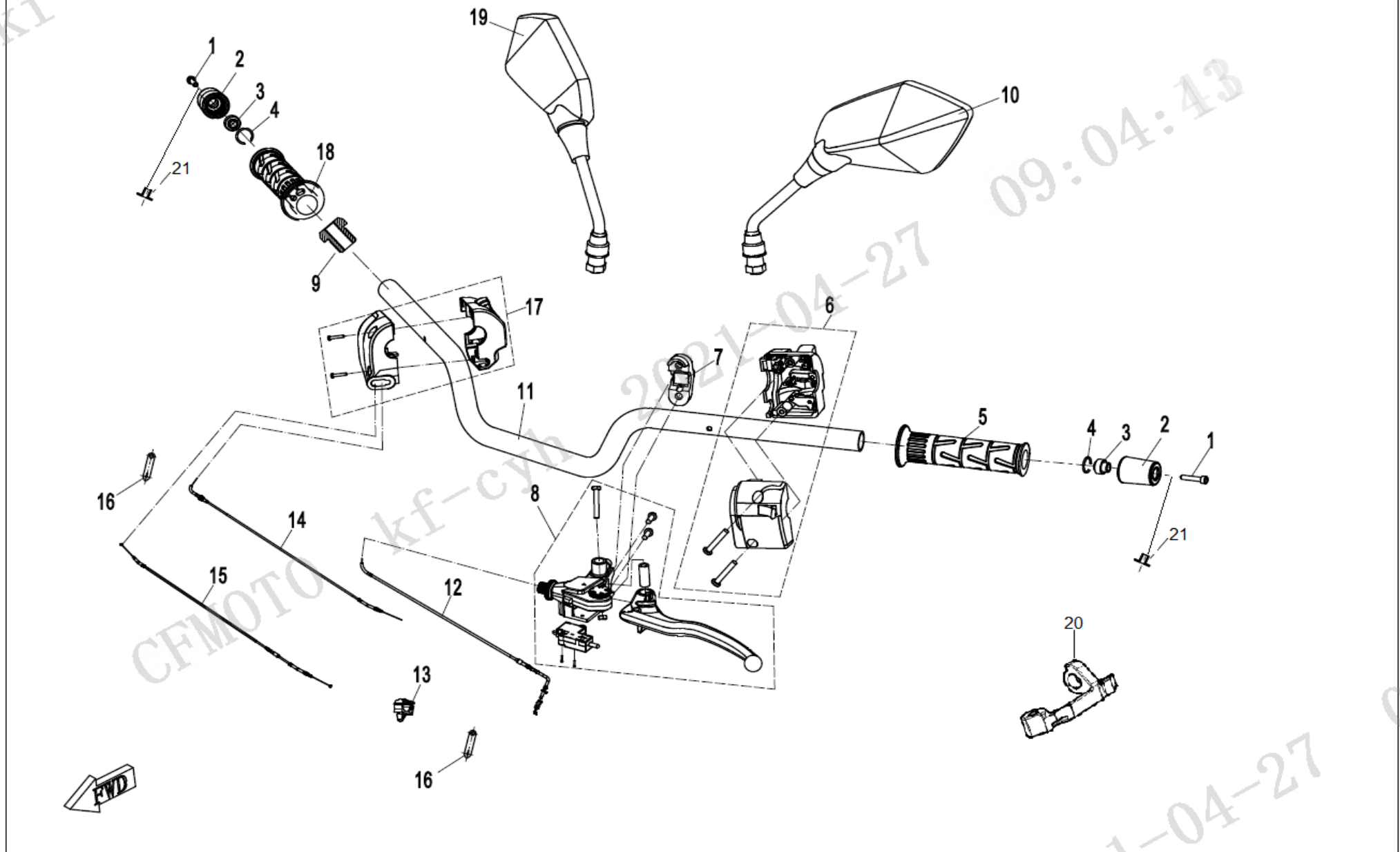
Item No	Parts Number	Parts Name(EN)	Parts Name(CN)	Qty	Remark(s)
01	6NT1-081010	FLUID OUTLET PIPE, FRONT BRAKE	前制动出油管	1	
02	A000-080102-2000	WASHER	垫圈	5	
03	A000-080101-2000	BANJO BOLT 1	过油螺栓 I	1	
04	A000-0801J0	FRONT BRAKE LEVER	前制动手柄组合	1	
05	A000-0801N0	FLUID RESERVOIR, FRONT BRAKE	前制动主泵油杯组合	1	
06	A000-0801W0	BOLT PLUG, OIL DRAIN	放油螺塞组合	3	
07	A000-0801M0	HALF-COVER, FRONT BRAKE PUMP	前制动主泵半盖组合	1	
08	6NTV-081100-6200-M1	FRONT BRAKE CALIPER ASSY	前制动泵组合	1	
09	6NT1-081020	FLUID INLET PIPE, FRONT BRAKE	前制动进油管	1	
10	A000-080103-2000	BANJO BOLT 2	过油螺栓 II	1	
11	A000-0801K0	PISTON, FRONT BRAKE PUMP	前制动主泵活塞组合	1	
12	A000-0801L0	SWITCH, FRONT BRAKE	前制动开关组合	1	
13	A000-0801H0	GUIDE ROD, FRONT BRAKE CALIPER	前制动钳导杆组合	2	
14	A000-0801C0	PAD, FRONT BRAKE	前制动蹄片组合	2	
15	A000-0801F0	PISTON, FRONT BRAKE CALIPER	前制动钳活塞组合	2	
16	A000-0801E0	BRACKET, FRONT LH BRAKE CALIPER	前左制动钳安装支架组合	1	
17	A000-080150-2000	FRONT BRAKE CALIPER, LH	前左制动钳组合	1	
18	A000-0801G0	BRACKET, FRONT BRAKE CALIPER(RH)	前右制动钳安装支架组合	1	
19	A000-080170-2000	FRONT BRAKE CALIPER, RH	前右制动钳组合	1	
20	A000-080140-30000	LOWER OIL HOSE ASSY, FRONT BRAKE	前制动下油管组合	1	
21	6NQV-150400-2802	SPEED SENSOR	车速传感器	1	
22	6NTG-080008-10000	FRONT GEAR RING	前齿圈	2	
23	A000-080010	FRONT BRAKE DISC	前制动盘组合	2	
24	30006-102045810	BOLT M10x1.25x45	螺栓	2	M10x1.25x45
25	6KMV-080004-8500-M1	SPEED SENSOR	轮速传感器	1	
26	30006-060016810	BOLT M6x16	螺栓	2	M6x16
27	A000-080003-10000	BRAKE DISC BOLT	制动盘螺栓	10	
28	A000-080008-10000	WASHER, FRONT GEAR RING	前齿圈垫片	10	
29	6KJ0-080003-00001	CLIP, BRAKE HOSE	制动油管卡	2	
30	30006-102055810	BOLT M10x1.25x55	螺栓	2	M10x1.25x55
31	6NQ0-050017	LH SEAT, SENSOR	传感器左安装座	1	

F08-2 后制动器/ REAR BRAKE



Item No	Parts Number	Parts Name(EN)	Parts Name(CN)	Qty	Remark(s)
02	A000-0802C0	FLUID RESERVOIR, REAR BRAKE PUMP	后制动主泵油杯组合	1	
03	A000-0801W0	BOLT PLUG, OIL DRAIN	放油螺塞组合	1	
04	6NT1-081030	FLUID OUTLET PIPE, REAR BRAKE	后制动出油管	1	
05	A000-080101-2000	BANJO BOLT 1	过油螺栓 I	1	
06	A000-080102-2000	WASHER	垫圈	4	
07	6NT1-081040-10000	OIL INLET PIPE, REAR BRAKE	后制动进油管	1	
08	A000-081400	MAB	MAB	1	
09	6NTG-081050	MASTER CYLINDER, REAR BRAKE	后制动主泵组合	1	
10	30102-080025810	SCREW M8x25	螺钉	2	M8x25
11	A000-0802G0	PISTON, REAR BRAKE PUMP	后制动主泵活塞组合	1	
12	A000-0802E0	PISTON, REAR BRAKE CALIPER	后制动钳活塞组合	1	
13	A000-0802H0	GUIDE ROD, REAR BRAKE CALIPER	后制动钳导杆组合	1	
14	30006-060016870	BOLT M6x16	螺栓	2	M6x16
15	6NTG-081060	REAR BRAKE CALIPER	后制动钳组合	1	
16	A000-0801D0	REAR BRAKE PAD	后制动蹄片组合	1	
17	A000-0802F0	PUSH BRACKET, REAR BRAKE PUMP	后制动主泵推杆支架组合	1	
18	6NTJ-0802D0	BRACKET, REAR BRAKE CALIPER	后制动钳安装支架组合	1	
19	A000-080003-10000	BRAKE DISC BOLT	制动盘螺栓	5	
20	6GU#-090002-6001	REAR GEAR RING	后齿圈	1	
21	6NQV-080006-2600	REAR BRAKE DISC	后制动盘	1	
22	6KMV-080004-8500-M1	SPEED SENSOR	轮速传感器	1	
23	30006-060012870	BOLT M6x12	螺栓	1	M6x12
24	30303-060112	WASHER	垫圈	1	6
25	A000-080006-10000	WASHER 1	垫片 I	1	
26	6NT1-080500	REAR BRAKE PEDAL ASSY	后制动踏板焊接组件	1	
27	A000-080007-10000	WASHER 2	垫片 II	1	
28	6NTG-080005	RETURN SPRING	回位弹簧	1	
29	6NTV-081070-9300-M1	REAR BRAKE LIGHT SWITCH	后制动灯开关	1	
30	6KM#-080002-8000	RUBBER OIL HOSE CLIP	橡胶油管线夹	1	

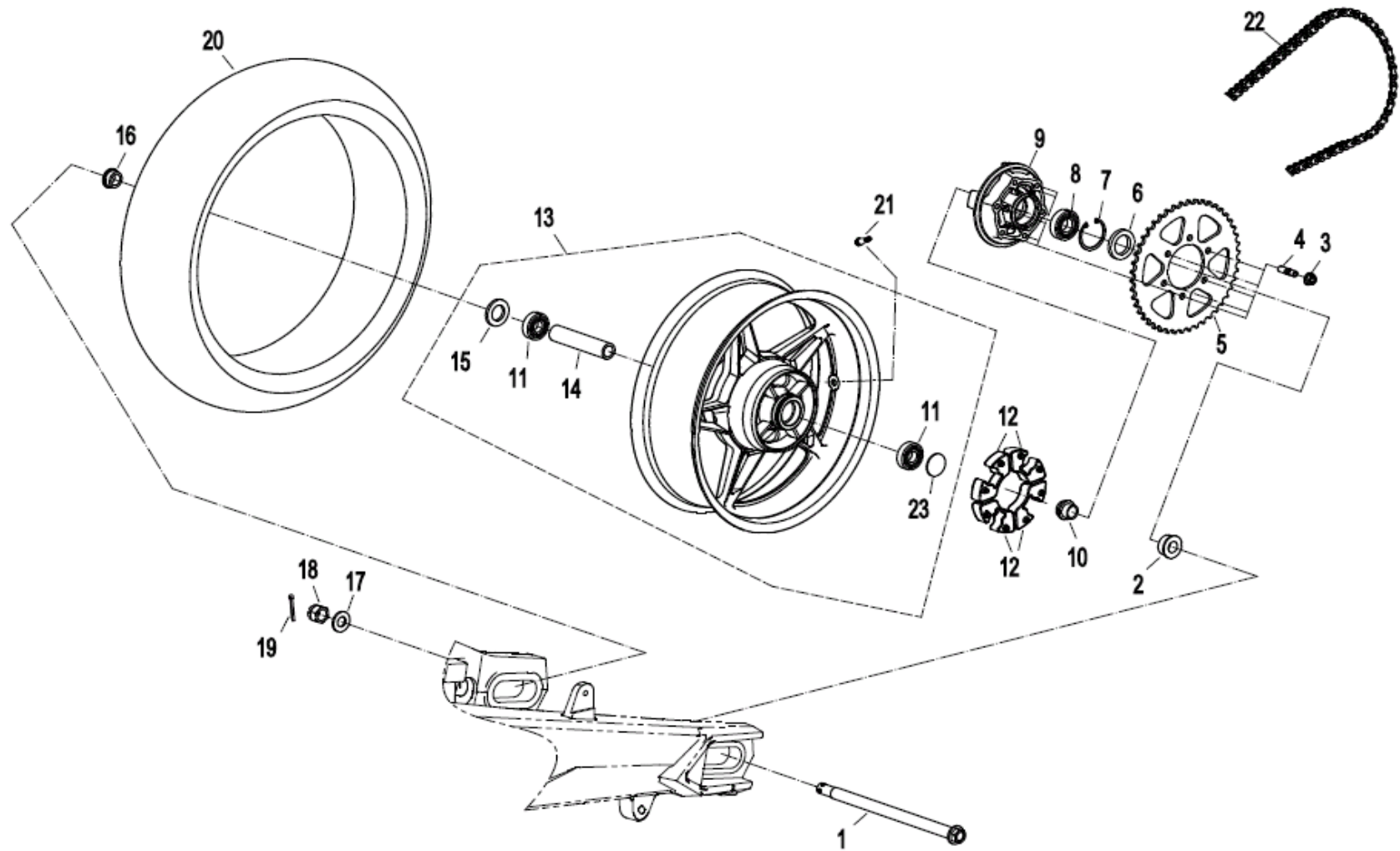
F10 操纵、转向机构/STEERING SYSTEM





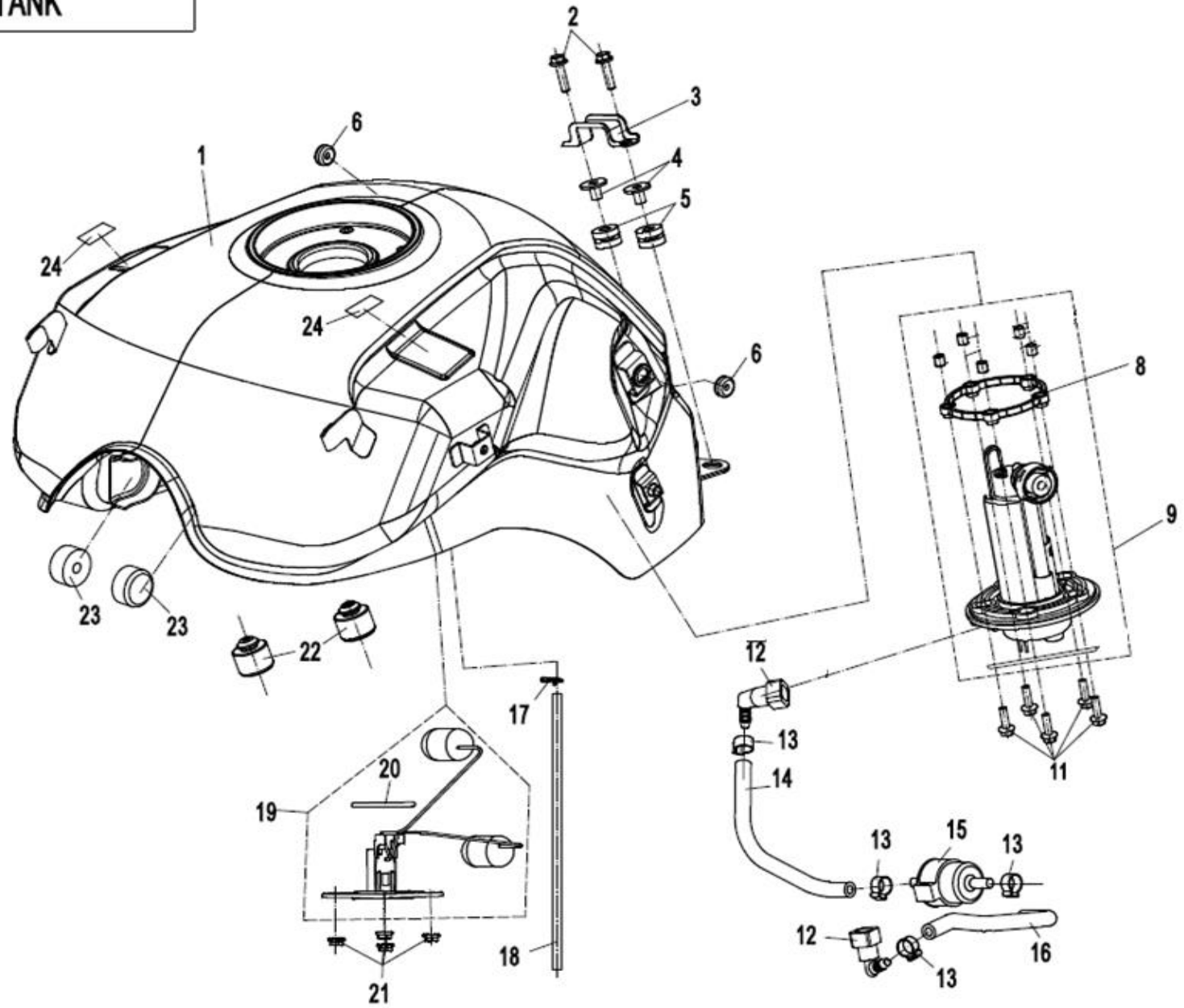
Item No	Parts Number	Parts Name(EN)	Parts Name(CN)	Qty	Remark(s)
01	30102-080030810	SCREW	螺钉	2	M8x30
02	6NT1-100301	BALANCER	平衡块	2	
03	6NT1-100310	BUSHING, BALANCER	平衡块销套组件	2	
04	30805-02005	CIRCLIP 20	孔用钢丝挡圈20	2	20
05	A000-100001-10000	LH HAND GRIP	左握把	1	
06	6NQV-166000-6200	HANDLEBAR SWITCH ASSY, LH	左手把开关组件	1	
07	6NQ0-166100	HAZARD SWITCH	警示开关	1	
08	6NQV-100200-6006	LEVER, CLUTCH	离合手柄组合	1	
09	6NTV-100102-2700	THREADED SLEEVE, HANDLEBAR PIPE	方向把管螺套	1	
10	6NTV-200300-4000	LH REAR VIEW MIRROR ASSY	左后视镜总成	1	
11	6NTV-100100-2701	LH HANDLEBAR ASSY	方向把组合	1	
12	6NT1-100600	CLUTCH CABLE	离合器拉索	1	
14	6NTV-100500-2700	THROTTLE CABLE 2	油门拉索2	1	
15	6NTV-100400-2700	THROTTLE CABLE 1	油门拉索1	1	
16	6KJ0-100002	CLUTCH PULL BINDING	离合器拉索绑带	2	
17	6NTV-167000-B200	HANDLEBAR SWITCH ASSY, RH	右手把开关组件	1	
17	6NTV-167000-B201	HANDLEBAR SWITCH ASSY, RH	右手把开关组件	1	
18	A000-100010-20000	RH HAND GRIP ASSY	右握把组件	1	
19	6NTV-200400-4000	RH REAR VIEW MIRROR ASSY	右后视镜总成	1	
20	6NTV-100008-9301	BRACKET, DASHBOARD SWITCH	仪表开关安装支架	1	
21	A000-180010-20000	BUSHING, RADIATOR DAMPER	散热器减震胶垫Ⅱ衬套	2	

F11-A 后轮 REAR WHEEL



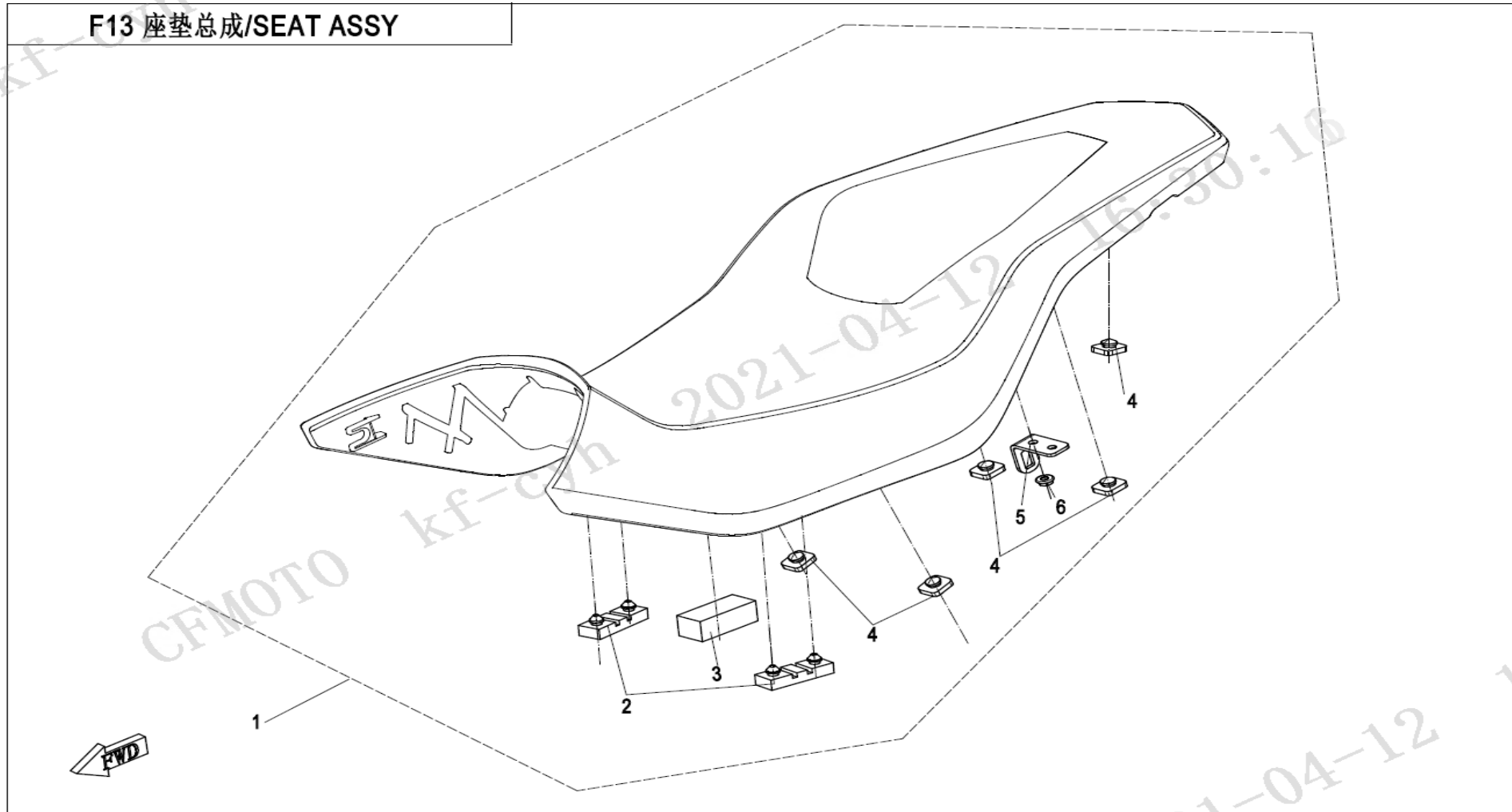
Item No	Parts Number	Parts Name(EN)	Parts Name(CN)	Qty	Remark(s)
01	6NT1-110001	REAR WHEEL AXLE	后轮轴	1	
02	A000-110002	LH SHAFT SLEEVE, REAR WHEEL	后轮左轴套	1	
03	30204-102810	NUT M10x1.25	螺母	6	M10x1.25
04	30020-102025410	STUD	螺柱	6	AM10x1.25x25
05	6NTG-110004-10000	REAR SPROCKET	后链轮	1	
06	30501-035800N	OIL SEAL	油封	1	FB35x52x8
07	30800-05205	CIRCLIP FOR HOLE	孔用弹性挡圈	1	52
08	30400-02503	BEARING	滚动轴承	1	6205-2RS
09	6NQV-110006-6000-0B200	SPROCKET SEAT	链轮座	1	MATTE BLACK
09	A000-110006-0B20	SEAT, SPROCKET	链轮座	1	MATTE BLACK
10	A000-110005-10000	SLEEVE, SPROCKET SEAT	链轮座轴套	1	
11	30400-02001	BEARING	滚动轴承	2	6204-RS
12	A000-110007	DAMPER, SPROCKET SEAT	链轮座缓冲胶块	4	
13	6NTV-110100-2000-0B200	REAR RIM ASSY	后轮辋组合	1	MATTE BLACK
14	6NQV-111102-2000	CENTER SPACER, REAR RIM	后轮辋中隔套	1	
15	30501-028800N	OIL SEAL	油封	1	FB28x47x7
16	6NT1-110003	WASHER, REAR WHEEL AXLE	后轮右轴套	1	
17	6NT1-110002	WASHER, REAR WHEEL AXLE	后轮轴平垫	1	
18	A000-110011	NUT, REAR WHEEL	后轮轴螺母	1	
19	30903-0403510	COTTER PIN	开口销	1	4.0x35
20	30705-1752	TIRE	轮胎	1	
21	5190-070030-1000	VALVE, INFLATION	气门嘴	1	
22	3120908	CHAIN	链条	1	520-116
23	30503-060000N	O-RING	O形圈	1	60x3.55

F12 油箱 FUEL TANK



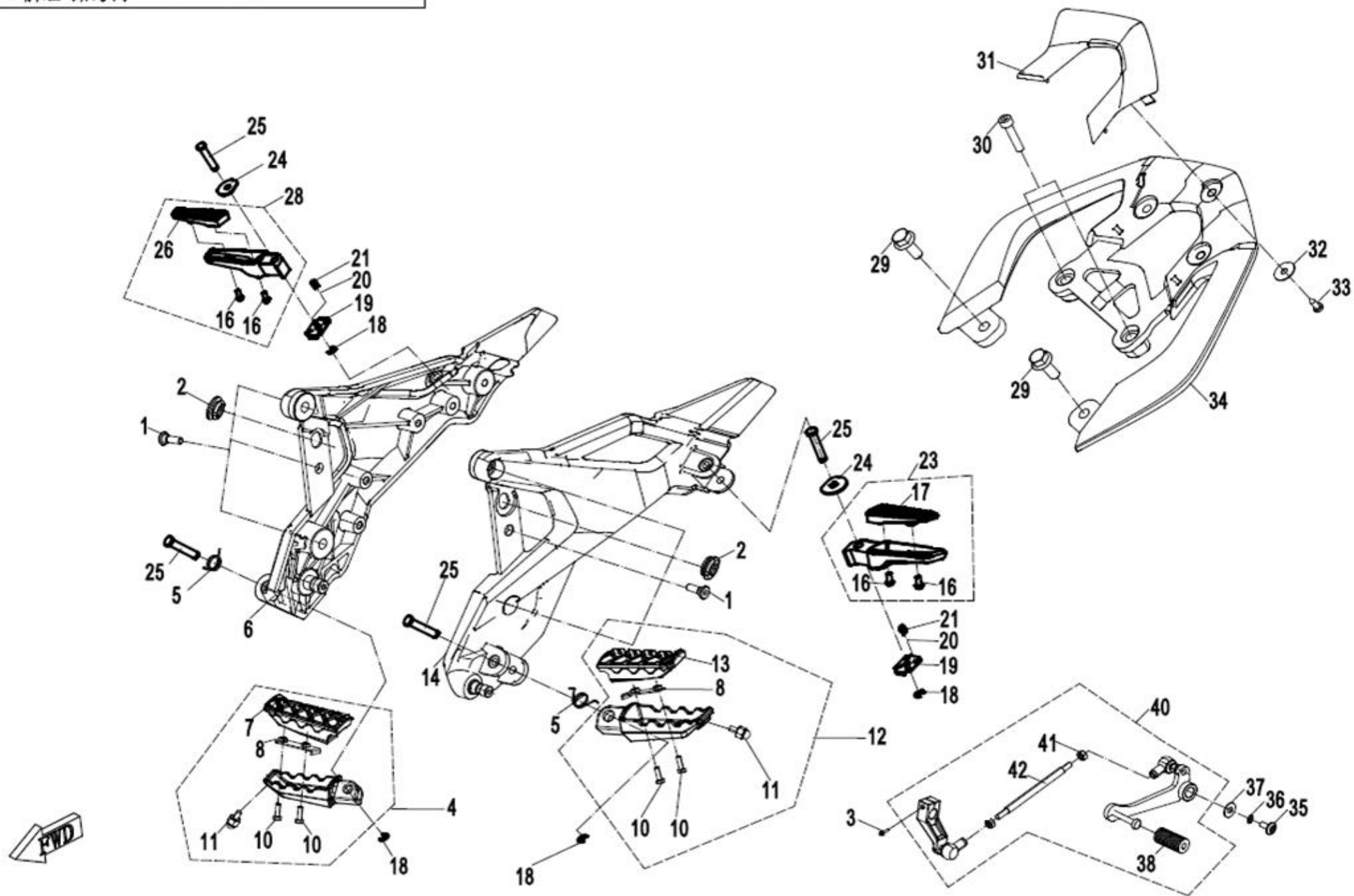
Item No	Parts Number	Parts Name(EN)	Parts Name(CN)	Qty	Remark(s)
01	6NT1-120100-1EK01	FUEL TANK ASSY	油箱焊接组件	1	ATHENS BLUE
01	6NT1-120100-1VE01	FUEL TANK ASSY	油箱焊接组件	1	NEBULA WHITE
02	30006-060025810	BOLT	螺栓	2	M6x25
03	A000-120005	HOOK	挂钩	1	
04	5020-031002	RUBBER SLEEVE LINER, FRONT LICENSE BRACKET	前牌照支架橡胶套衬套	2	
05	5020-031001	RUBBER SLEEVE, FRONT LICENSE BRACKET	前牌照支架橡胶胶套	2	
06	A000-040302	RUBBER DAMPER	油箱外护罩缓冲橡胶	2	
08	6KJ0-150902	SEAL WASHER, TOP COVER	顶盖密封圈	1	
09	6KJV-150900-8001	FUEL PUMP ASSY	油泵总成	1	
11	30006-050020810	BOLT	螺栓	5	M5x20
12	6090-120210	QUICK JOINT	快速接头	2	
13	6070-120400	CLAMP	无级环箍 (Φ14.5)	4	Dia14.5
14	A010-120210-10000	HIGH-PRESSURE FUEL HOSE ASSY 1	高压油管组合 I	1	
15	6090-120220	FUEL FILTER ASSY, EFI	电喷燃油滤清器组合	1	
16	A000-120220-10000	HIGH-PRESSURE FUEL HOSE ASSY 2	高压油管组合 II	1	
17	30601-111010	CLAMP A11	环箍A11	1	A11
18	9CR6-120001	BREATHER HOSE, FUEL TANK	油箱通气管	1	
19	6NQV-170200-2801	FUEL LEVEL SENSOR	油位传感器	1	
21	30202-060110	NUT M6	螺母	4	M6
22	A000-120001	RUBBER SUPPORT	前支撑胶套	2	
23	A000-120006	CUSHION MAT, FRONT FUEL TANK	油箱前侧缓冲垫	2	
24	6NT1-041510	BUCKLE ASSY	蘑菇搭扣组合	2	

F13-D 座垫(缝线配色) SEAT (THREAD)



Item No	Parts Number	Parts Name(EN)	Parts Name(CN)	Qty	Remark(s)
01	6NTC-130100	SEAT ASSY	座垫组合	1	
02	6NT1-130104	RUBBER	长方形缓冲橡胶	2	
03	A000-130103	FOAM DAMPER	泡沫缓冲块	1	
04	6NT1-130105	RUBBER	方形缓冲橡胶	5	
05	A000-130101	HOOK, SEAT LOCK	座垫锁钩	1	
06	30204-060810	NUT M6	螺母	1	

F14-V3 脚蹬与后扶手/FOOTREST & REAR HANDRAIL

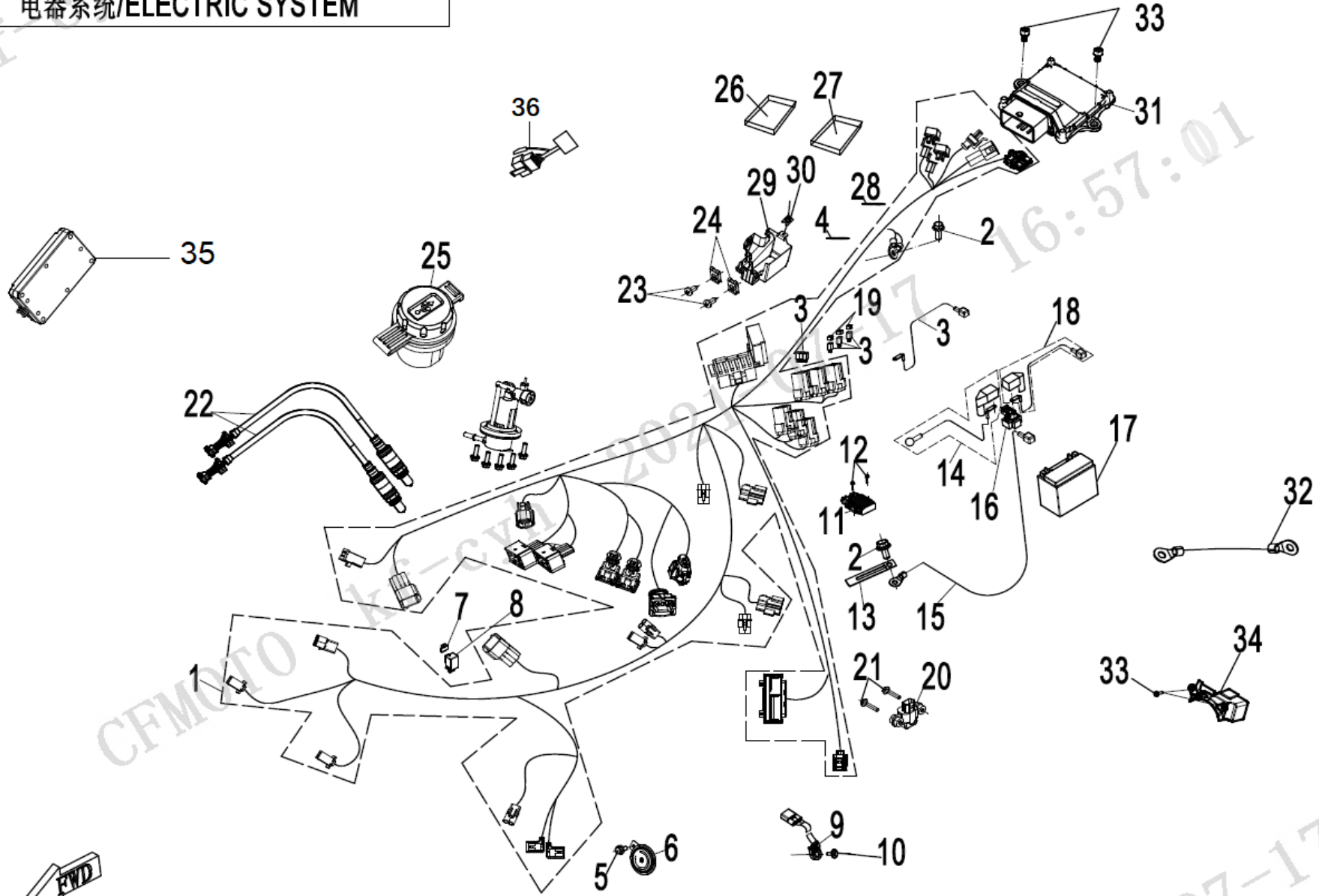


Item No	Parts Number	Parts Name(EN)	Parts Name(CN)	Qty	Remark(s)
01	6100-140103	BOLT M8x25	凸台螺栓M8X25	6	M8X25
02	8080-040064	FRONT FENDER DAMPER	前围缓冲橡胶套	2	
03	30006-060020810	BOLT M6x20	螺栓M6x20	1	M6x20
04	6NT1-140130-2V100	FRONT FOOTREST, RH	右前脚蹬组件	1	SILVER WHITE
05	6NT1-140103	TORSIONAL SPRING	扭簧	2	
06	6NT1-140140-2V100	BRACKET ASSY, RH FOOT PEDAL	右脚蹬支架组件	1	SILVER WHITE
07	6NT1-140132-00001	FOOT PEDAL RUBBER	右前脚蹬橡皮	1	
08	6NT1-140150	CONNECTING PLATE, FOOTREST	脚蹬连接板组件	2	
10	30105-050016410	SCREW M5x16	螺钉	4	M5x16
11	A010-140123	LIMIT BOLT	限位螺栓	2	
12	6NT1-140120-2V100	FRONT FOOTREST, LH	左前脚蹬组件	1	SILVER WHITE
13	6NT1-140122-00001	FOOT PEDAL RUBBER	左前脚蹬橡皮	1	
14	6NT1-140110-2V100	BRACKET ASSY, LH FOOTREST	左脚蹬支架组件	1	SILVER WHITE
16	30105-050012410	SCREW M5x12	螺钉	4	M5x12
17	6KJ0-140132	RUBBER, LH FOOT PEDAL	左脚蹬橡皮组件	1	
18	30802-00603	CIRCLIP 6	开口挡圈6	4	6
19	A000-140104	LOCATING GASKET 1	定位垫片I	2	
20	5190-037814	STEEL BALL	钢珠	2	
21	5190-037813	SPRING	弹簧	2	
23	6KJ0-140150-1V100	REAR FOOTREST, LH	左后脚蹬组件	1	SILVER WHITE
24	A000-140106	LOCATING GASKET 2	定位垫片II	2	
25	A000-140142	PIN SHAFT Dia 8	销轴Φ8	4	Dia 8
26	6KJ0-140142	RUBBER ASSY, RH FOOTREST	右脚蹬橡皮组件	1	
28	6KJ0-140160-1V100	REAR FOOTREST,RH	右后脚蹬组件	1	SILVER WHITE
29	30006-080020810	BOLT M8x20	螺栓	2	M8x20
30	30102-080030810	SCREW	螺钉	2	M8x30
31	6NT1-140202	COVER, REAR ARMREST	后扶手盖板	1	
32	30305-050112	WASHER	垫圈	1	5
33	30110-421130010	SCREW	自攻螺钉	1	ST4.2x13
34	6NT1-140201-0B200	REAR ARMREST	后扶手	1	MATTE BLACK
35	A000-040702	INNER HEX SCREW M6x12	内六角螺钉M6x12	1	M6x12
36	30303-060112	WASHER	垫圈	1	6
37	30305-060112	WASHER	垫圈	1	6
38	6090-033601	SLEEVE, FOOT PEDAL	踏杆套	1	
40	6NT1-141100-20000	GEARSHIFT ROD ASSY	变档杆组合	1	



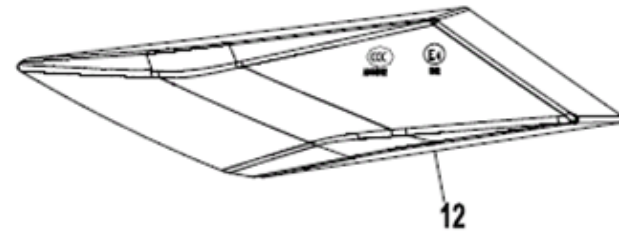
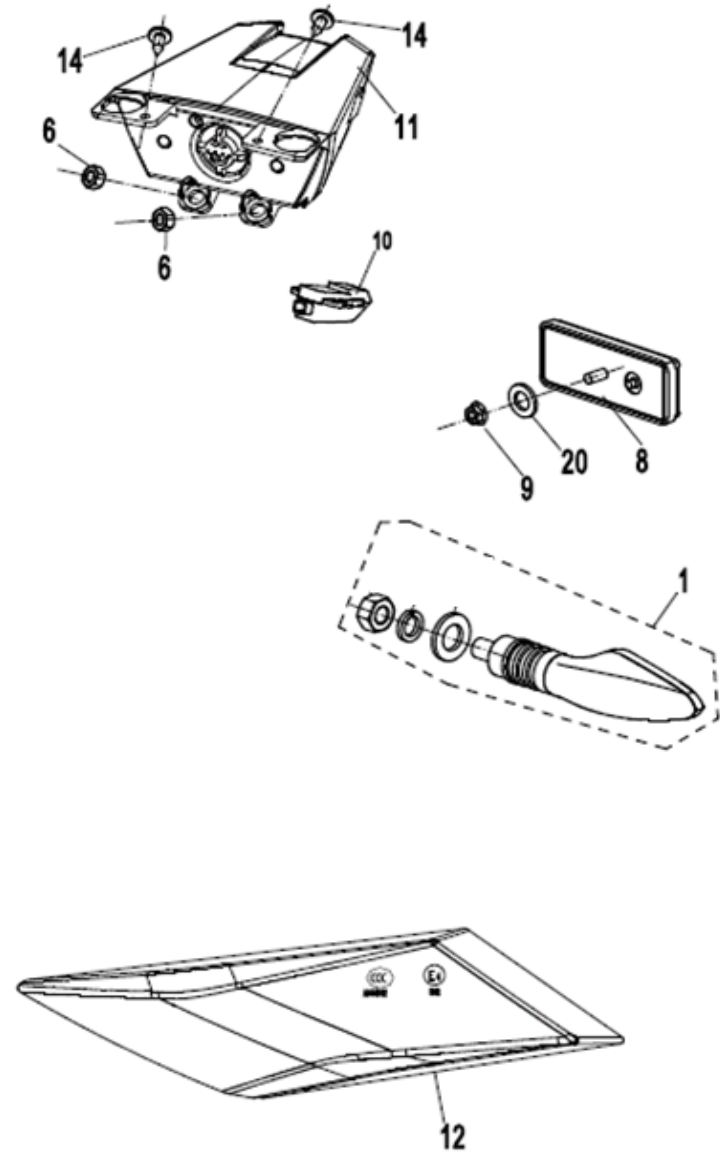
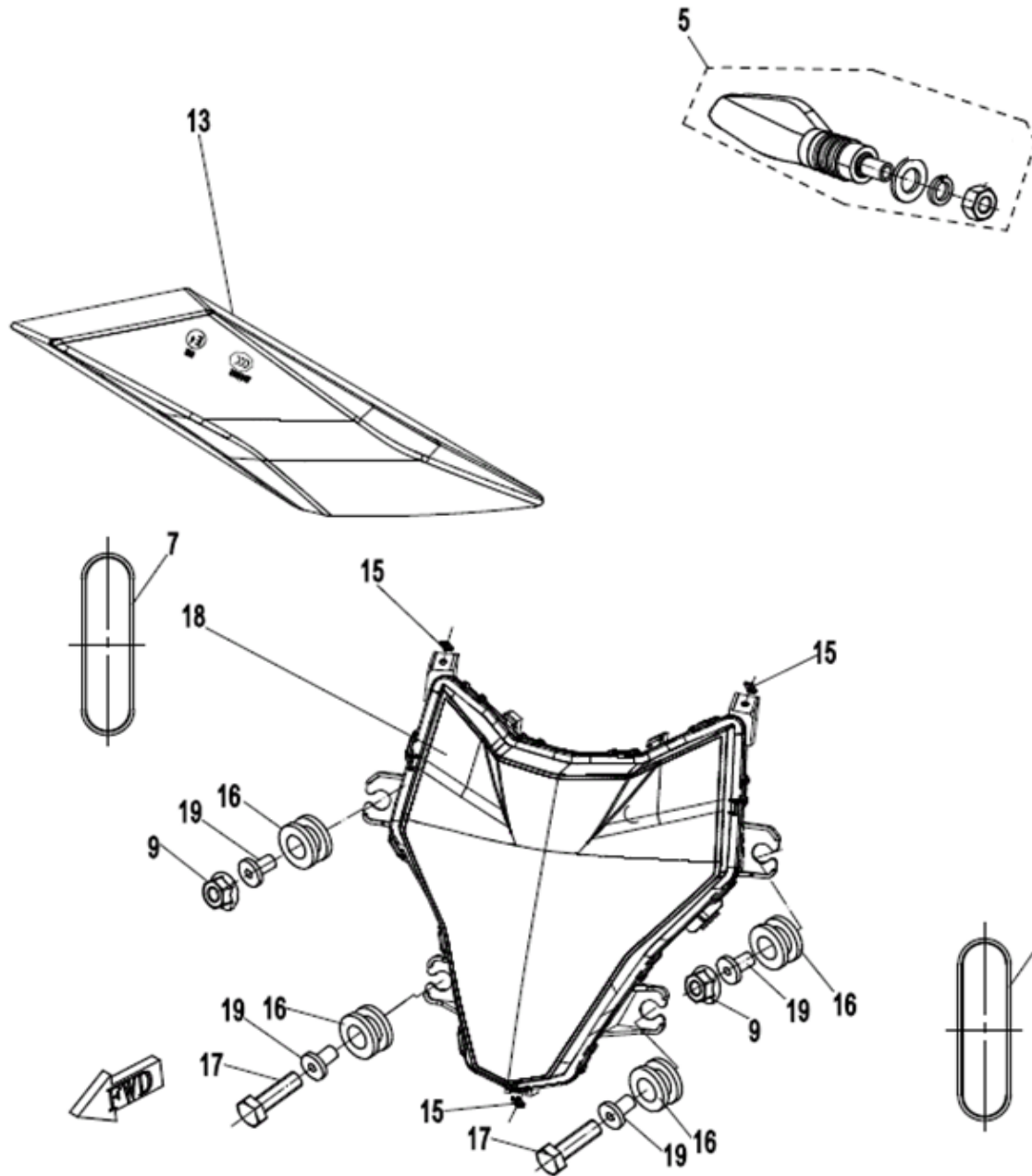
41	30200-060810	NUT	螺母	1	M6
42	6NT1-141102-20000	CONNECTING ROD	连杆	1	

电器系统/ELECTRIC SYSTEM



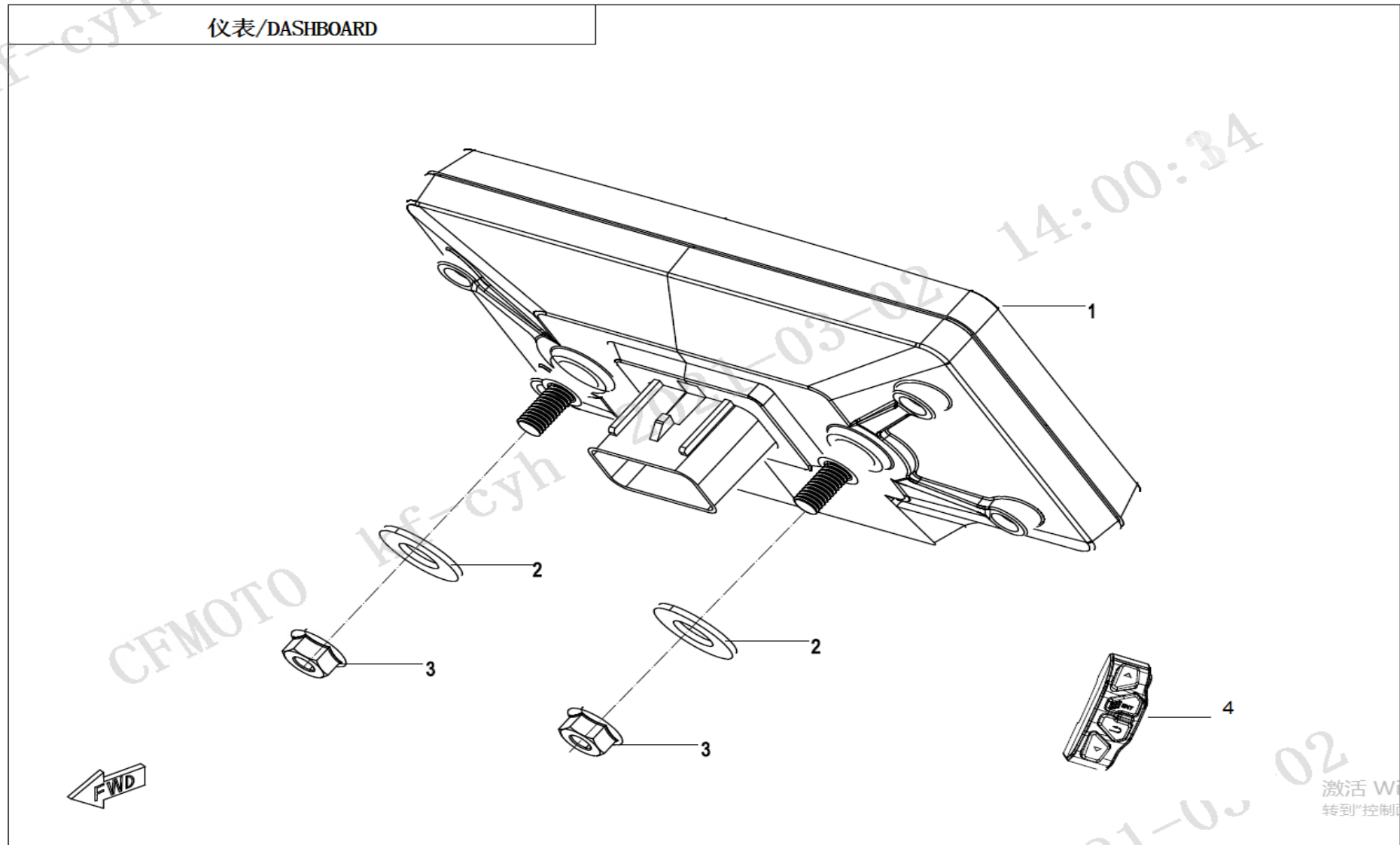
Item No	Parts Number	Parts Name(EN)	Parts Name(CN)	Qty	Remark(s)
01	6NTV-150100-B201	MAIN CABLE	主线束	1	
02	30006-060012870	BOLT M6x12	螺栓	2	M6x12
03	A000-150800	AUXILIARY RELAY	辅助继电器	6	
04	8010-150003	TIE	扎带	15	5x250
05	30006-080014810	BOLT M8x14	螺栓	1	M8x14
06	6NT1-150600	HORN	喇叭	1	
07	8010-150002	CUSHION WASHER, FLASHER	闪烁器缓冲垫	1	
08	6NTV-161000-2701	FLASHER	闪烁器	1	
09	6KMV-151200-8500	SIDE STAND SWITCH	边撑开关	1	
10	8010-090005	BOLT M6x16	螺栓M6x16	1	M6x16
11	6NQV-177000-2800	REGULATOR	整流调压器	1	
12	30006-060030810	BOLT M6x30	螺栓	2	M6x30
13	0180-014010	WIRE CLIP	线夹组合	2	
14	6NTV-150310-2700	POSITIVE CABLE, STARTER MOTOR	启动马达正极线	1	
16	9CR6-150310	STARTER RELAY	起动机继电器	1	
17	AC-TTZ14S (HW)	BATTERY	蓄电池	1	12V11.2AH
19	6WWV-045901-5000	RUBBER BUSHING, AUXILIARY RELAY	辅助继电器橡胶护套	3	
20	6KJ0-150600	SENSOR, ROLL-OVER	侧倾传感器	1	
21	30006-050020810	BOLT	螺栓	2	M5x20
22	0HU0-176000	OXYGEN SENSOR	氧传感器	2	
23	30118-420130010	SELF-TAPPING SCREW ST4.2x13	自攻螺钉	2	ST4.2x13
24	8080-000002	CLIP NUT ST4.8	夹板ST4.8	2	ST4.8
25	6NTV-151200-2700	USB OUTLET SOCKET	USB输出座组件	1	
28	801F-100101	TIE BAND	扎带	4	
29	6NTV-041601-2700	BATTERY BOX	电池盒	1	
30	8030-040800-00001	NUT CLIP	M6螺母夹	1	M6
31	6NTV-001000-D200	ECU ASSY	ECU总成	1	
32	6NTV-150430-2700	GROUND CABLE, FRAME	车架搭铁线	1	
33	30006-060012810	BOLT M6x12	螺栓M6x12	4	M6x12
34	6NTV-041105-2700	WATER-PROOF GUARD, RELAY	继电器防水罩	1	
35	6GUV-151800-7501-M1	T-BOX	智能中控	1	@Eurasia and Africa and Australia exce
36	6NQV-152700-B100	GEAR CONTROL UNIT	档位控制块	1	

F16 灯具/LIGHT



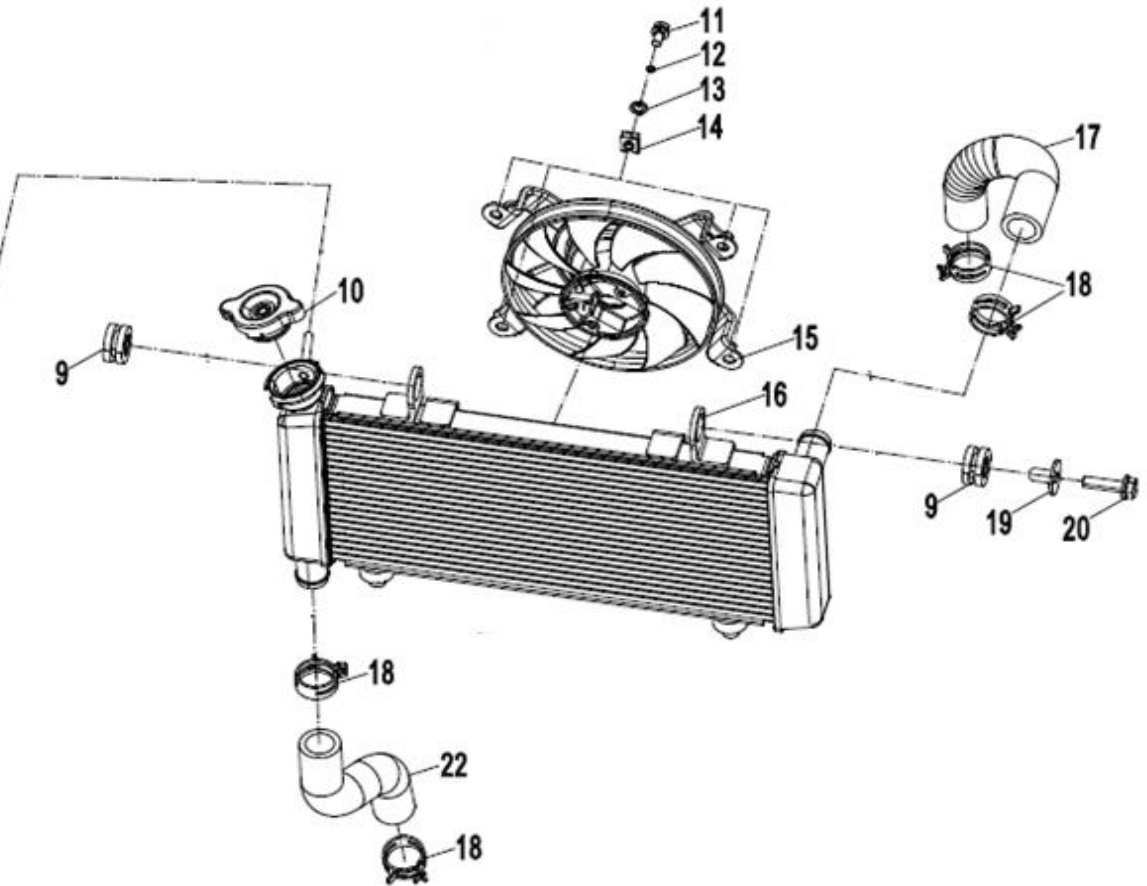
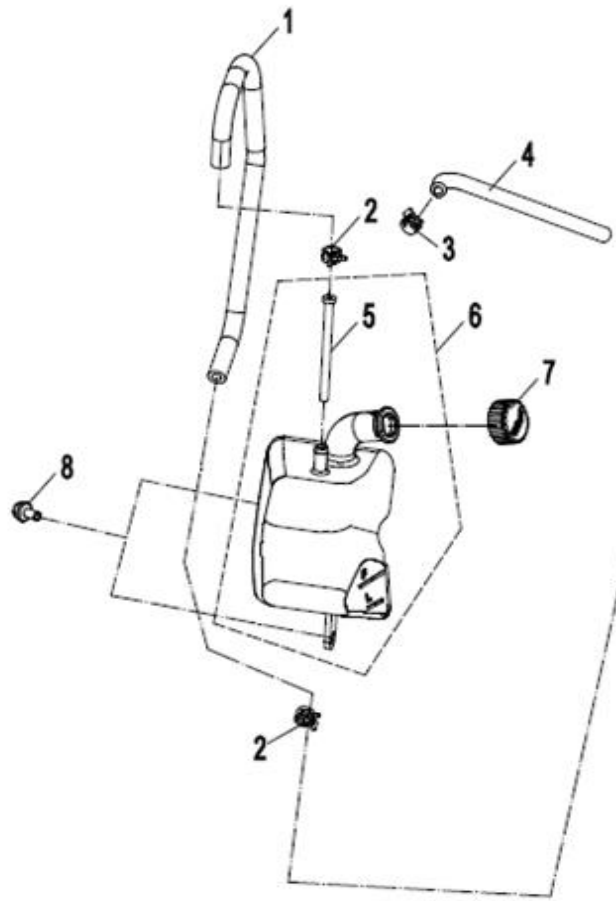
Item No	Parts Number	Parts Name(EN)	Parts Name(CN)	Qty	Remark(s)
01	6KM0-160400-00004	FRONT TURN LIGHT, LH	前左转向灯	1	
05	6KM0-160500-00004	FRONT TURN LIGHT, RH	前右转向灯	1	
06	30202-060110	NUT M6	螺母	2	M6
07	6KJV-160920-8001-M1	FRONT SIDE REFLECTOR	前侧反射器	2	
08	5190-160230-00002	REAR REFLECTOR	后反射器	1	RECTANGLE, RED
09	30202-050110	NUT M5	螺母	1	M5
10	6FIV-160600-6601	LICENSE LIGHT	牌照灯	1	
11	6NTV-162100-2700	TAIL LIGHT	后尾灯	1	
12	6NTV-163100-2700	FRONT LH TURN LIGHT	前左转向灯	1	
13	6NTV-163200-2700	FRONT RH TURN LIGHT	前右转向灯	1	
14	30110-481130010	SCREW	自攻螺钉	2	ST4.8x13
15	8080-000002	CLIP NUT ST4.8	夹板ST4.8	3	ST4.8
16	5020-031001	RUBBER SLEEVE, FRONT LICENSE BRACKET	前牌照支架橡胶胶套	4	
17	30006-060025810	BOLT	螺栓	2	M6x25
18	6NTV-161100-2704	HEADLIGHT	前照灯	1	
19	5020-031002	RUBBER SLEEVE LINER, FRONT LICENSE BRACKET	前牌照支架橡胶套衬套	4	
20	30305-050112	WASHER	垫圈	1	5

F17 仪表 DASHBOARD



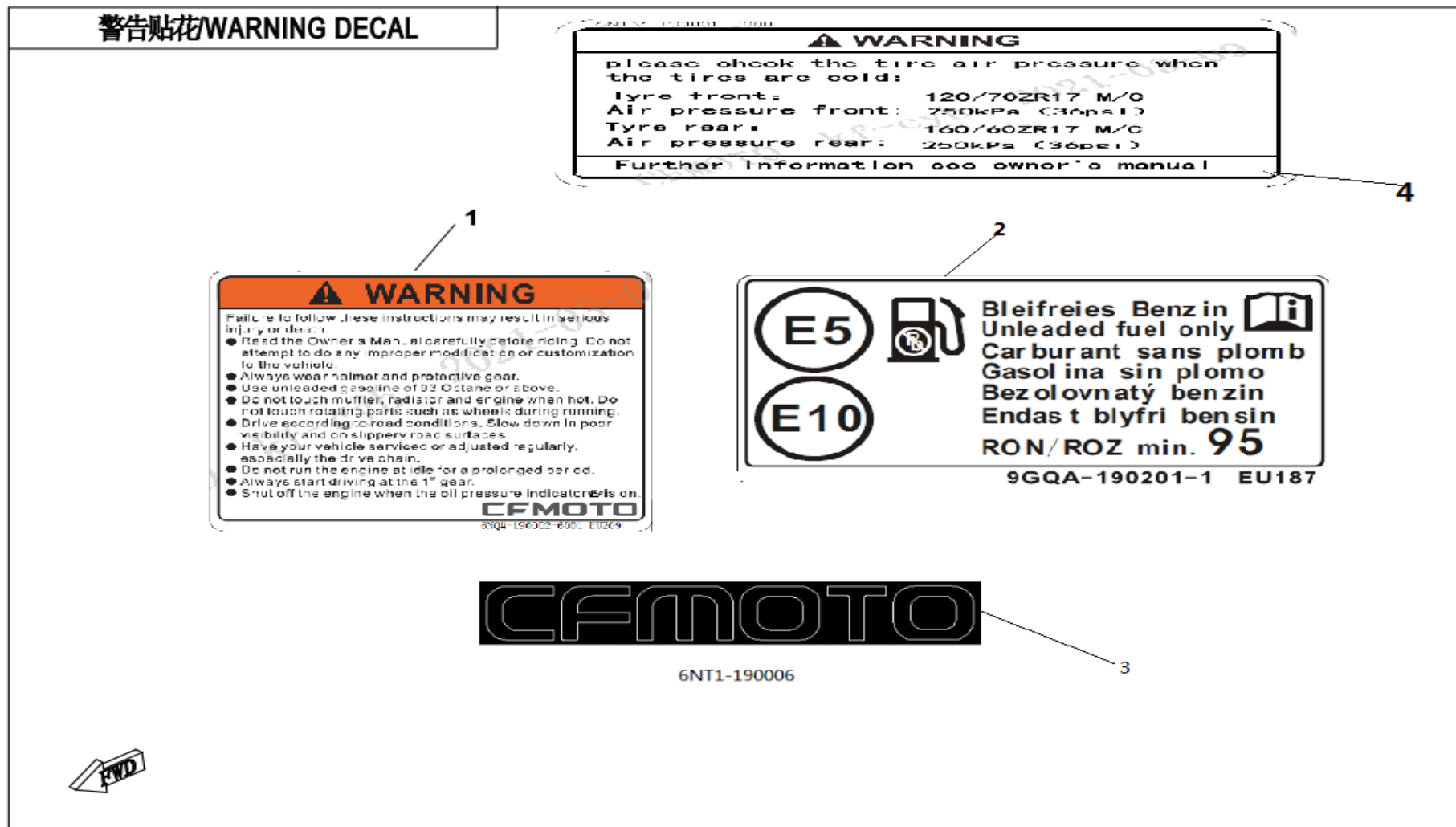
Item No	Parts Number	Parts Name(EN)	Parts Name(CN)	Qty	Remark(s)
01	6NTV-171000-B201	LCD DASHBOARD	液晶仪表	1	
02	30202-060110	NUT M6	螺母	2	
03	30305-060112	WASHER	垫圈	2	
04	6NQV-169140-6200	DASHBOARD SWITCH	仪表专用开关	1	

F18 冷却系统/COOLING SYSTEM

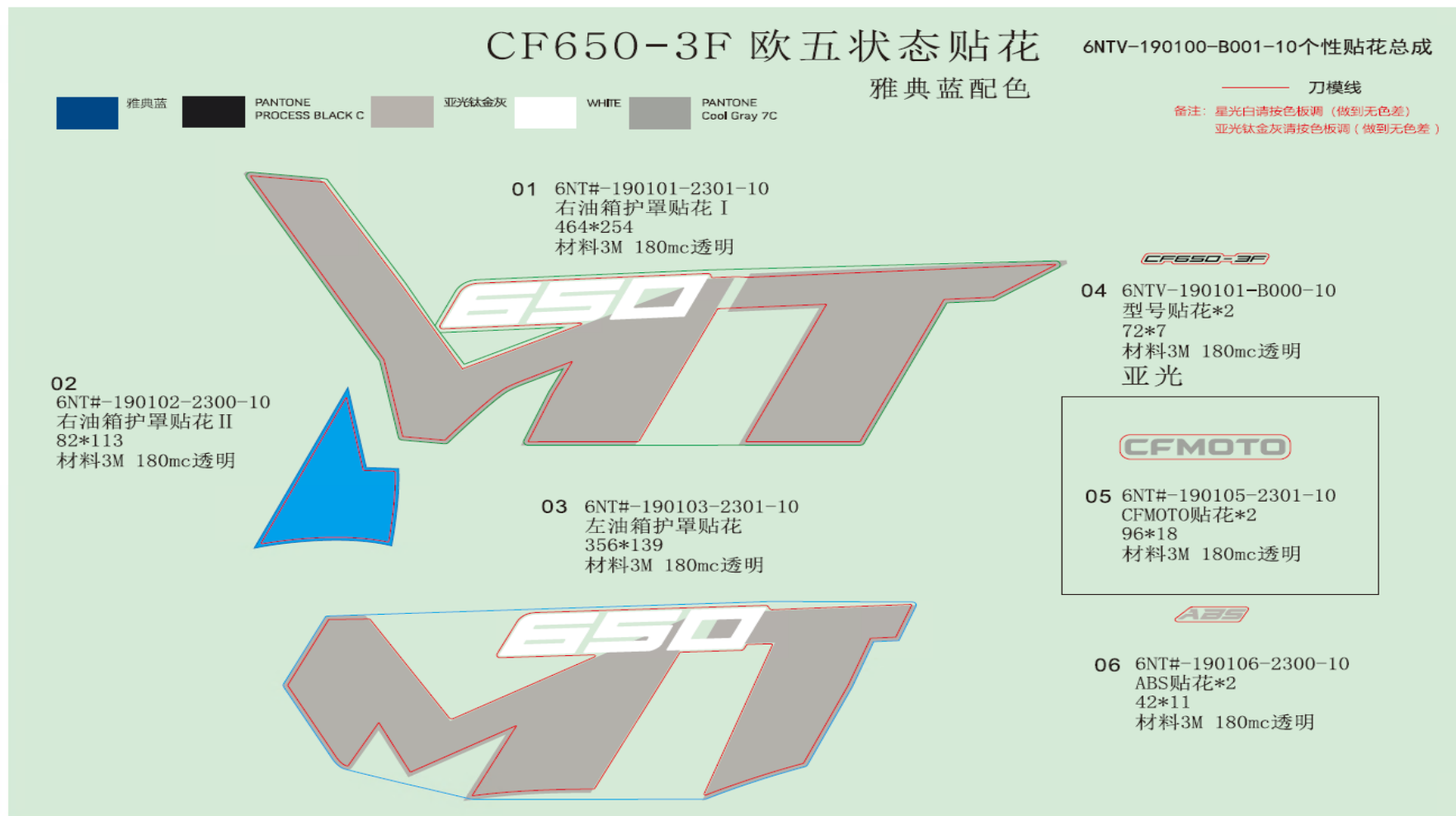


Item No	Parts Number	Parts Name(EN)	Parts Name(CN)	Qty	Remark(s)
01	6NT1-180001	WATER OUTLET HOSE, RESERVOIR TANK	副水箱出水管	1	
02	30601-212530	CLAMP B12.5	环箍B12.5	2	B12.6
03	30601-207050	CLAMP B7	环箍B7	1	B7
04	6090-360003	VACUUM PIPE, CANISTER	破罐负压管	1	
05	6NT1-180312	RESERVOIR TANK DUCT	副水箱导管	1	
06	6NT1-180310	RESERVOIR WATER TANK	副水箱组件	1	
07	6KJ0-180302	CAP, RESERVOIR TANK	副水箱盖	1	
08	8010-000004	BOLT M6x14	凸缘螺栓M6x14	2	M6x14
09	A000-180005	DAMPER2, RADIATOR	散热器减震胶垫II	2	
10	A000-180400	CAP, WATER FILLER	加水口盖组件	1	
11	30006-060012810	BOLT M6x12	螺栓M6x12	4	M6x12
12	30303-060112	WASHER	垫圈	4	6
13	30305-060112	WASHER	垫圈	4	6
14	6NT1-181001	NUT M6	夹板螺母	4	M6
15	6NTV-181200-2700	FAN MOTOR ASSY	风扇电机组合	1	
16	6NTV-181100-2000	RADIATOR ASSY	散热器焊接组件	1	
17	6NT1-180002	WATER INLET HOSE,RADIATOR	散热器进水管	1	
18	A000-180006	CLAMP B30	环箍B30	4	B30
19	A000-180010-20000	BUSHING, RADIATOR DAMPER	散热器减震胶垫II衬套	1	
20	30006-080030810	BOLT M8x30	螺栓	1	M8x30
22	6NT1-180003	WATER OUTLET HOSE,RADIATOR	散热器出水管	1	

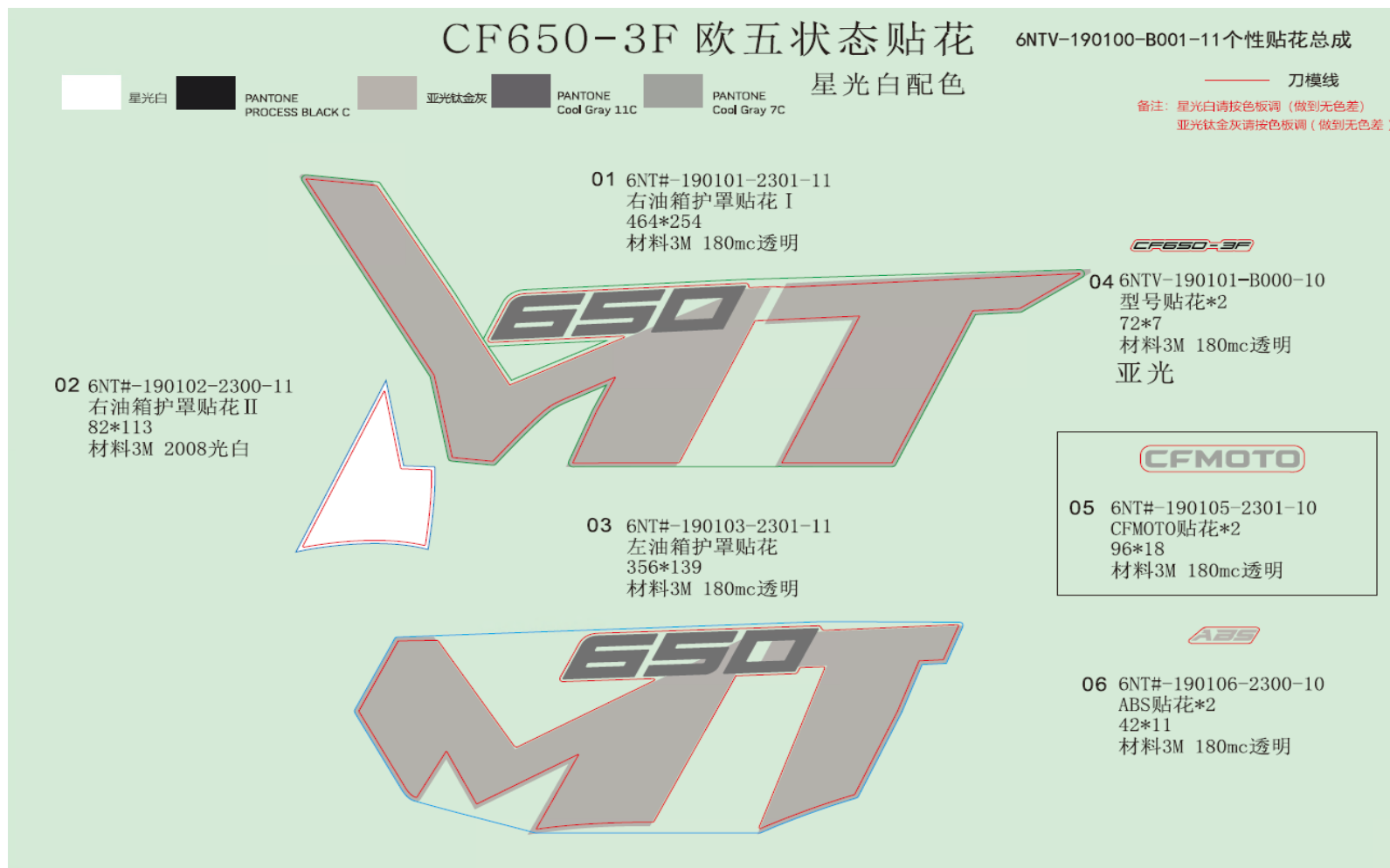




Item No	Parts Number	Parts Name(EN)	Parts Name(CN)	Qty	Remark(s)
01	6NQ#-190002-6001	SAFETY WARNING INSTRUCTION LABEL	安全警告说明标贴	1	
01	6NQ#-190002-6002	SAFETY WARNING INSTRUCTION LABEL	安全警告说明标题	1	
02	9GQA-190201-10000	WARNING LABEL, FUEL FILLING PORT	加油口警告标贴	1	
03	6NT1-190006	CFMOTO STICKER	CFMOTO标贴	2	
04	6NTV-190001-B000	INSTRUCTION LABEL, TIRE PRESSURE	轮胎气压说明标贴	1	
04	6NTV-190001-B300	INSTRUCTION LABEL, TIRE PRESSURE	轮胎气压说明标贴	1	

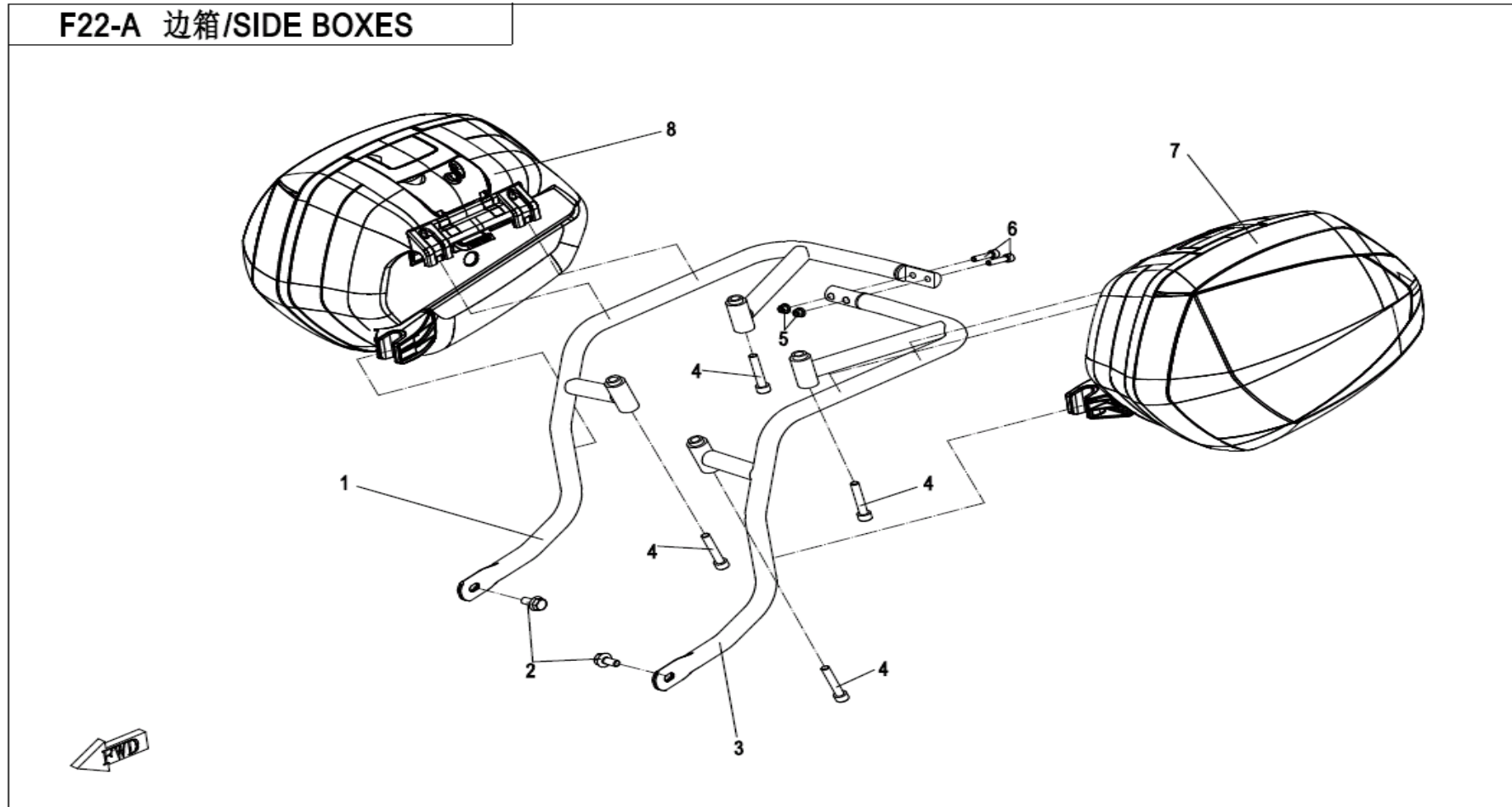


Item No	Parts Number	Parts Name(EN)	Parts Name(CN)	Qty	Remark(s)
01	6NT#-190101-2301-10	RH DECAL 1, FUEL TANK GUARD	右油箱护罩贴花 I	1	
02	6NT#-190102-2300-10	DECAL 2, FUEL TANK RH GAURD	右油箱护罩贴花 II	1	
03	6NT#-190103-2301-10	LH DECAL, FUEL TANK GUARD	左油箱护罩贴花	1	
04	6NTV-190101-B000-10	MODEL DECAL	型号贴花	2	
05	6NT#-190105-2301-10	CFMOTO DECAL	CFMOTO贴花	2	
06	6NT#-190106-2300-10	ABS DECAL	ABS贴花	2	
07	6NTV-190100-B001-10	DECAL ASSY	个性贴花总成	1	



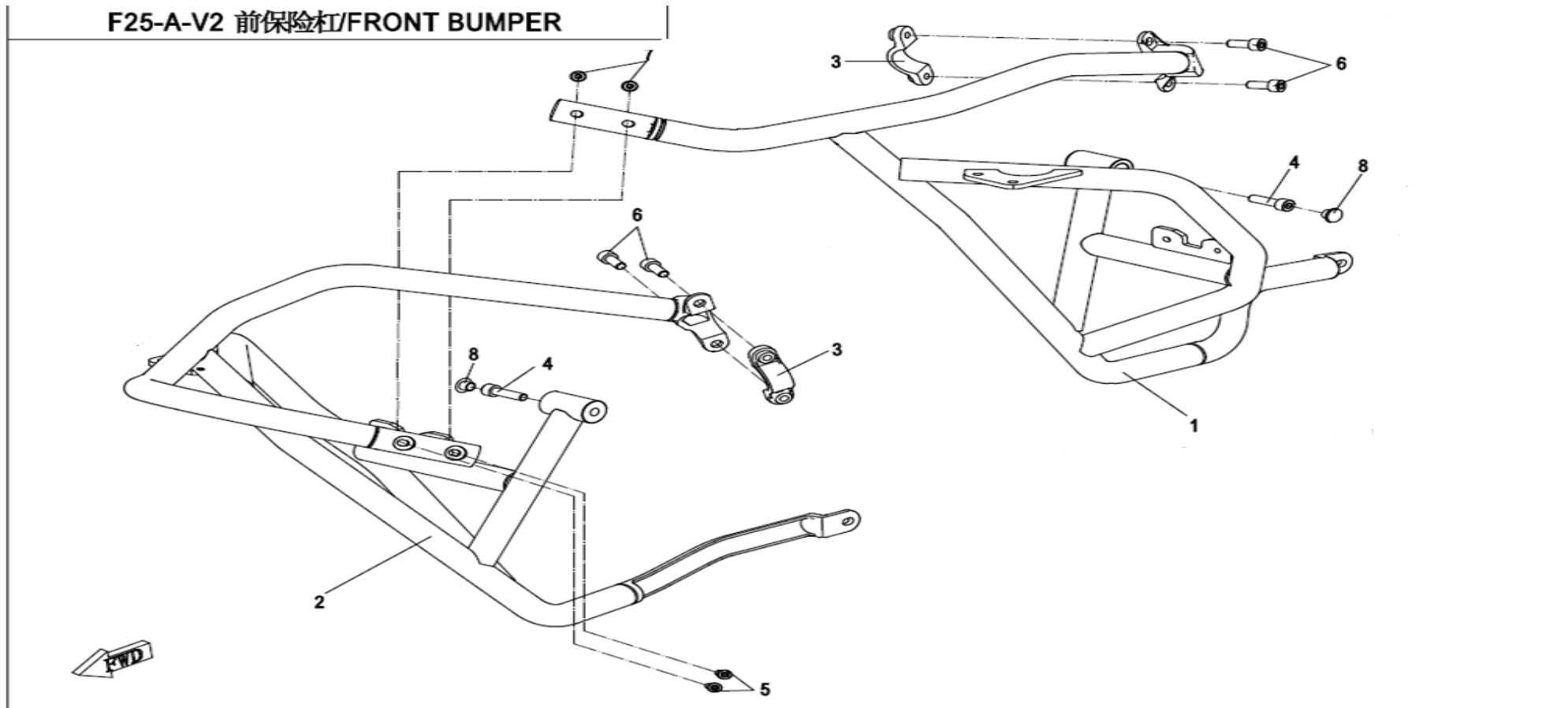
Item No	Parts Number	Parts Name(EN)	Parts Name(CN)	Qty	Remark(s)
01	6NT#-190101-2301-11	RH DECAL 1, FUEL TANK GUARD	右油箱护罩贴花 I	1	
02	6NT#-190102-2300-11	DECAL 2, FUEL TANK RH GAURD	右油箱护罩贴花 II	1	
03	6NT#-190103-2301-11	LH DECAL, FUEL TANK GUARD	左油箱护罩贴花	1	
04	6NTV-190101-B000-10	MODEL DECAL	型号贴花	2	
05	6NT#-190105-2301-10	CFMOTO DECAL	CFMOTO贴花	2	
06	6NT#-190106-2300-10	ABS DECAL	ABS贴花	2	
07	6NTV-190100-B001-11	DECAL ASSY	个性贴花总成	1	

F22-A 边箱(塑料) SIDE BOXES (PLASTIC)



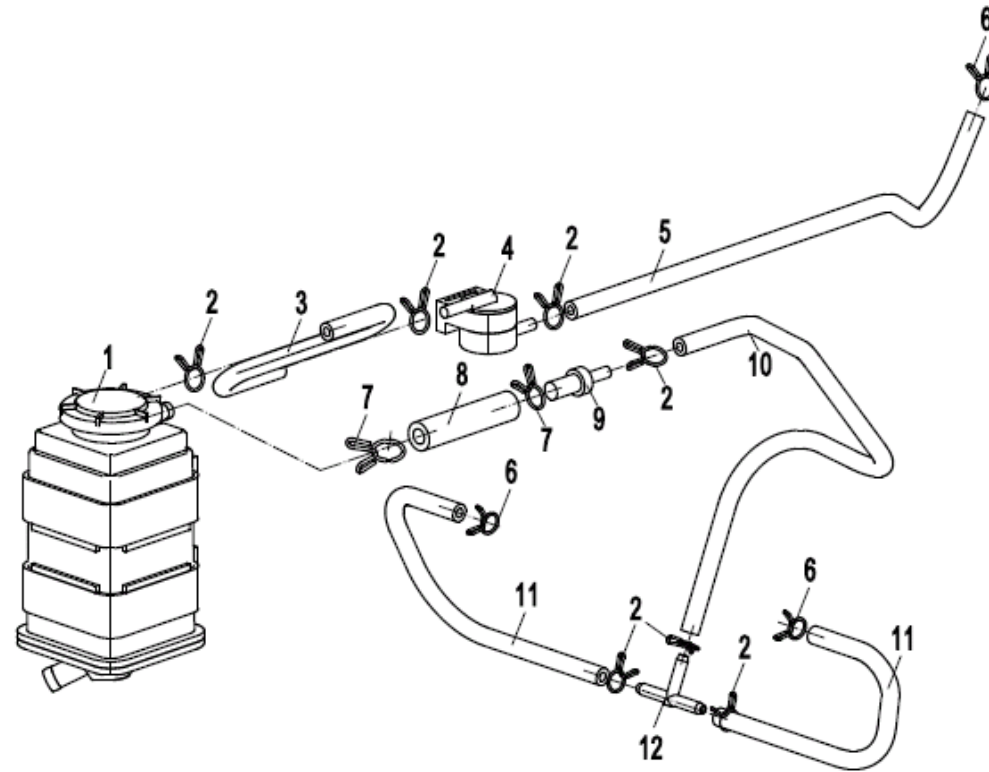
Item No	Parts Number	Parts Name(EN)	Parts Name(CN)	Qty	Remark(s)
01	6NT1-220200-0BP00	BRACKET, RH SIDE BOX	右边箱支撑架组合	1	MAUD SPIRIT BLACK
02	30006-080014810	BOLT M8x14	螺栓	2	M8x14
03	6NT1-220100-0BP00	BRACKET, LH SIDE BOX	左边箱支撑架组合	1	MAUD SPIRIT BLACK
04	30102-080045810	INNER HEX SCREW M8x45	螺钉	4	M8x45
05	30204-060810	NUT M6	螺母	2	M6
06	30102-060025810	SCREW M6x25	螺钉	2	M6x25
07	6NT1-222000	SIDE BOX, LH	左边箱组合	1	
08	6NT1-223000	SIDE BOX, RH	右边箱组合	1	

F25-A-V2 前保险杠(民用) FRONT BUMPER(NORMAL)



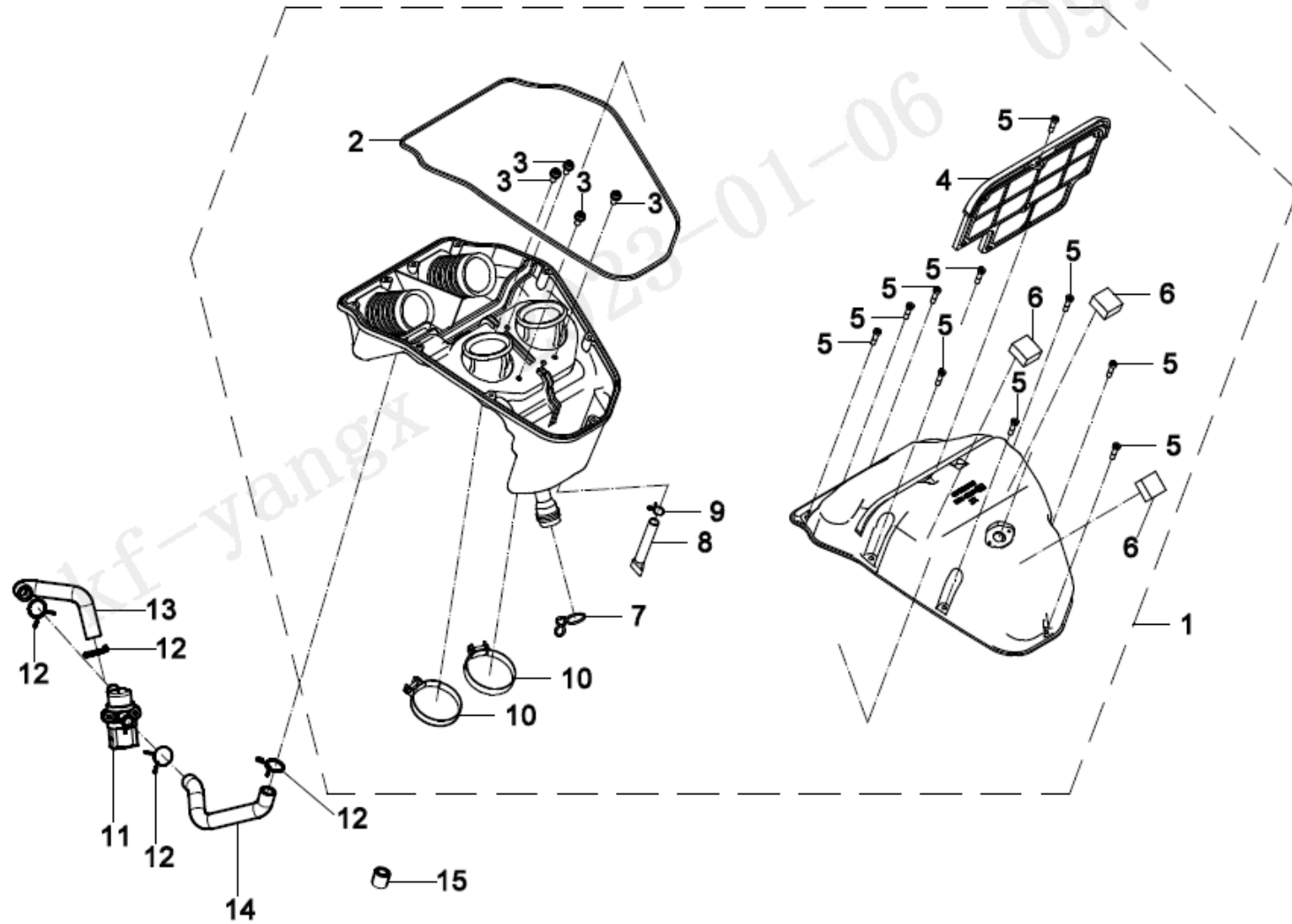
Item No	Parts Number	Parts Name(EN)	Parts Name(CN)	Qty	Remark(s)
01	6NT1-251000-0BP00	FRONT LH BUMPER ASSY	前左保险杠组合	1	MAUD SPIRIT BLACK
02	6NT1-252000-0BP00	FRONT RH BUMPER ASSY	前右保险杠组合	1	MAUD SPIRIT BLACK
03	6NT1-250001-0BP00	COVER, CLAMP BRACKET	抱箍支架盖	2	MAUD SPIRIT BLACK
04	30102-080030810	SCREW	螺钉	2	M8x30
05	30102-060020870	INNER HEX SCREW M6x20	螺钉M6x20	2	M6x20
06	30102-080020870	SCREW	螺钉M8x20	4	
07	30204-060810	NUT M6	螺母	2	M6
08	6NTG-251003	DECO COVER, BOLT	安装螺栓装饰盖	2	

F36 燃油蒸发系统 FUEL VAPORIZAZION SYSTEM



Item No	Parts Number	Parts Name(EN)	Parts Name(CN)	Qty	Remark(s)
01	6L30-360200	CANISTER	碳罐	1	
02	30601-108010	CLAMP A8	环箍A8	7	A8
03	6NT1-360002	FUEL VAPOR HOSE 2	燃油蒸气管Ⅱ	1	
04	606B-360100	ANTI-ROLLOVER VALVE	防倾倒阀	1	
05	6NT1-360003-10000	FUEL VAPOR HOSE 3	燃油蒸气管Ⅲ	1	
06	30601-109010	CLAMP A9	环箍	3	
07	30601-112010	CLAMP A12	环箍	2	A12
08	6NTV-360002-B000	FUEL DESORPTION PIPE 2	燃油脱附管Ⅱ	1	
09	8010-180018	JOINT, HEAT TRANSMIT PIPE	传热水管接头	1	
10	6NTV-360001-B000	FUEL DESORPTION PIPE 1	燃油脱附管Ⅰ	1	
11	6NQ0-360002	FUEL VAPOR HOSE 2	燃油蒸气管Ⅱ	2	
12	8010-360001	VACUUM T-JOINT	负压三通接头	1	

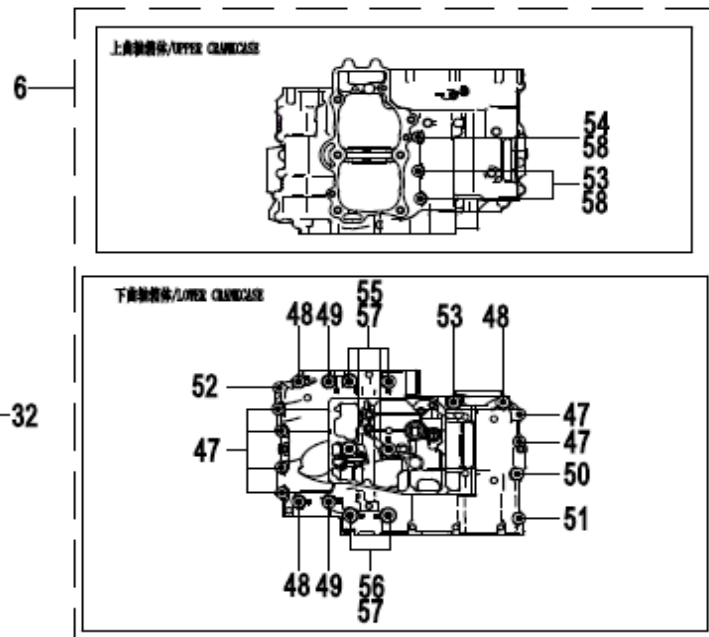
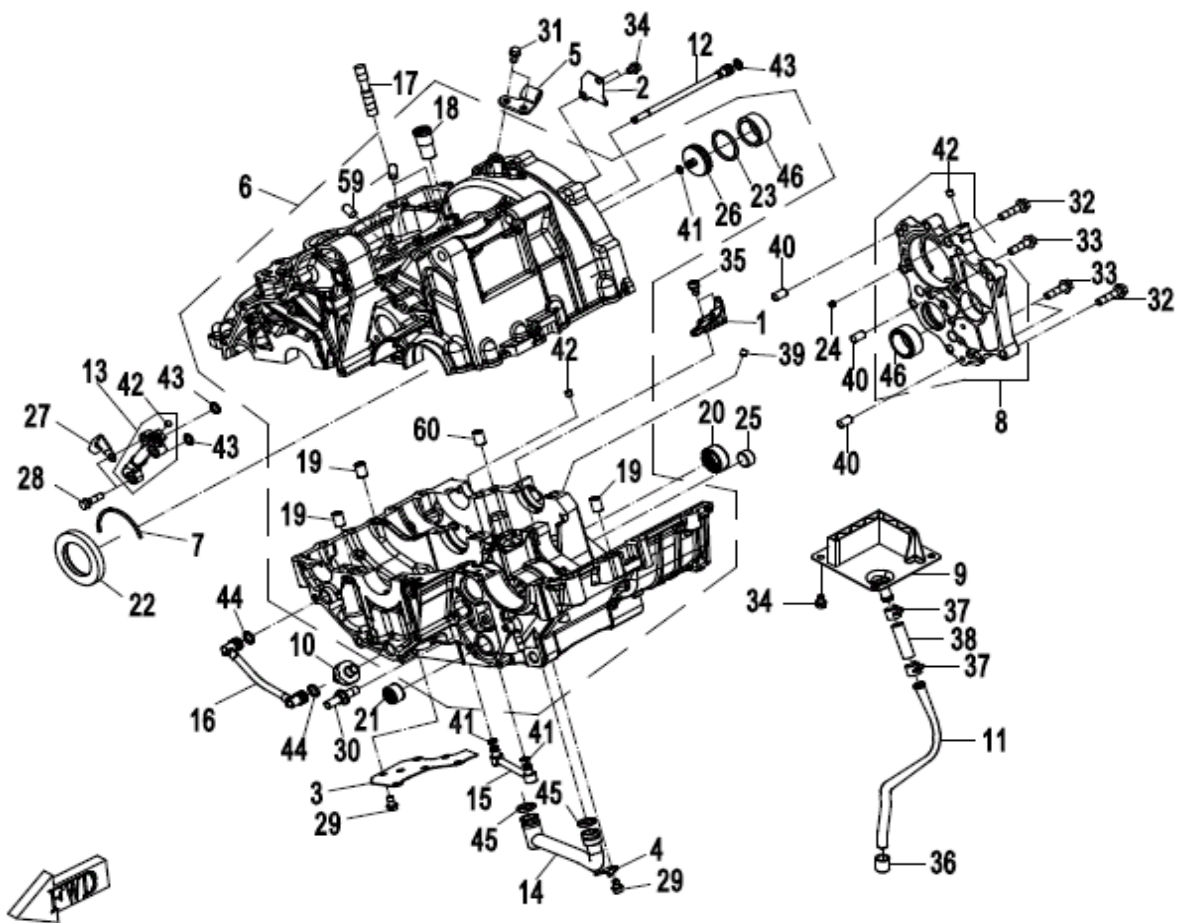
空滤器/ AIR FILTER





Item No	Parts Number	Parts Name(EN)	Parts Name(CN)	Qty	Remark(s)
01	0700-111000	AIR FILTER	空气滤清器	1	
02	0700-111002	SEAL RING	密封圈	1	
03	30102-060012810	SCREW	内六角螺钉M6X12	4	
04	0700-111100	FILTER ELEMENT	滤芯组件	1	
05	30110-480200040	SELF-TAPPING SCREW ST4.8x20-F-H	自攻螺钉ST4.8x20-F-H	10	ST4.8x20-F-H
06	0700-111004	DAMPER FOAM	减震泡沫	3	
07	30601-124020	CLAMP A24	环箍A24	1	A24
08	0700-111006	OIL STORAGE HOSE	储油管	1	
09	30601-110010	CLAMP A10	环箍	1	A10
10	0700-111011	CLAMP 56, AIR INLET PIPE	进气管卡箍组件56	2	
11	0HU0-179000	GULP VALVE	二次补气阀	1	
12	30601-118010	CLAMP A18	环箍	4	
13	0HTC-110003	AIS AIR OUTLET PIPE	二次补气出气管	1	
14	0HTC-110002	AIS AIR INLET PIPE	二次补气进气管	1	
15	0HTC-140005	RESTRICTION PLU	节流塞	1	

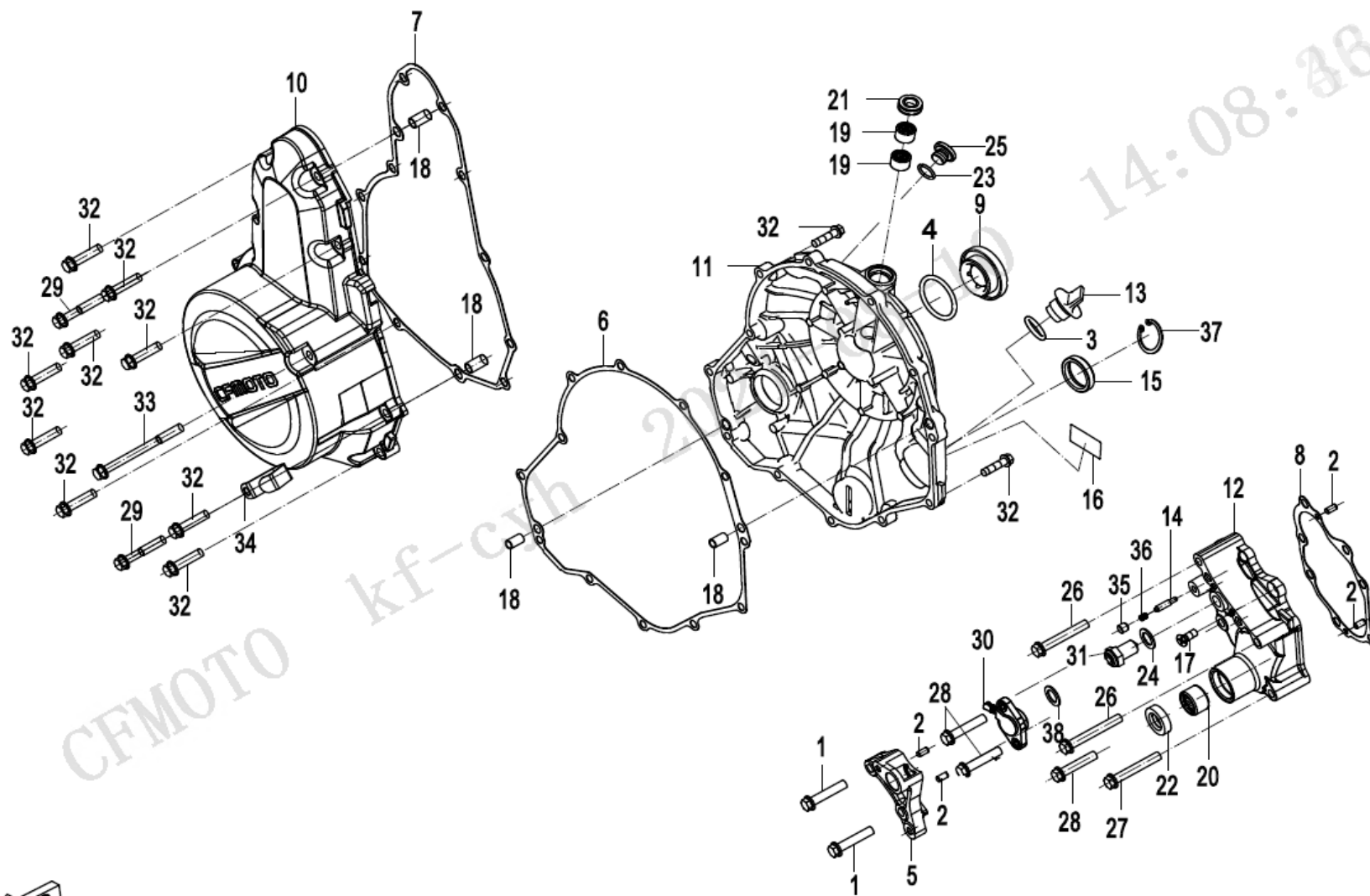
E01-1 上和下曲轴箱分总成/UPPER & LOWER CRANKCASE



Item No	Parts Number	Parts Name(EN)	Parts Name(CN)	Qty	Remark(s)
01	0700-012300	PLATE, OIL SHIELDING	油室分隔板组件	1	
02	0700-011104	GUARD, BREATHER	呼吸器挡板	1	
03	0700-012006	PLATE, LOWER CRANKCASE	下箱体盖板	1	
04	0700-070001	PLATE, OIL PIPE1	过油管 I 压板	1	
05	0700-010002	BRACKET, CLUTCH CABLE	离合拉线支架	1	
06	0700-0100A0-1B20	CRANKCASE ASSY	曲轴箱合件	1	
07	0700-010001	RING 62, BEARING	轴承止动环62	1	
08	0700-0660A0	GEAR CASE	变档室盖合件	1	
09	0700-011410	BREATHER ASSY	呼吸器焊接合件	1	
10	0700-012500	SWITCH, OIL PRESSURE	机油低压报警开关	1	
11	0700-011402-1000	OIL RETURN HOSE	回油管	1	
12	0700-011310	OIL PIPE 5	过油管V合件	1	
13	0700-0112A0-0B20	OIL PIPE 4	过油管IV合件	1	
14	0700-070300	OIL PIPE 1	过油管 I 合件	1	
15	0700-012210	OIL PIPE 3	过油管III合件	1	
16	0700-012710	OIL PIPE 2	过油管II合件	1	
17	0700-011102-00001	STUD M10x57	双头螺柱	1	
18	0700-011103	PIPE BREATHER	呼吸器通气管	1	
19	30410-01000	ROLLER 10x14	圆柱滚子10X14	3	
20	30403-02200	NEEDLE BEARING HK2212	滚针轴承HK2212	1	
21	30403-01300	NEEDLE BEARING HK1312	滚针轴承HK1312	1	
22	0700-010200	OIL SEAL 40x62x8, COUNTERSHAFT	副轴油封	1	
23	0700-011112	O-SEAL RING 29x2.5	O形密封圈	1	
24	0700-066006-00002	OIL LIMIT PLUG	限油螺咀	1	
25	0700-012105-00001	PLUG, MAIN OIL RAIL	主油道锥堵	1	
26	0700-011106	PLUG, UPPER CRANKCASE	上箱油堵	1	
27	0180-014010	WIRE CLIP	线夹组合	1	
28	0010-080013-0010	BOLT M6x22	螺栓	2	
29	0010-080010-00001	BOLT	螺栓M6x10	7	
30	0700-012107-00001	DOWEL PIN, TRANSMISSION SPRING	换挡轴扭簧定位销	1	
31	0010-021019-0010	BOLT M6x12	螺栓	2	
32	0700-066004-00001	BOLT M7x30	螺栓	6	
33	0700-066007-00001	BOLT M7x26	螺栓M7x26	3	
34	0700-011105-00002	BOLT	螺栓	6	
35	0700-012012-00001	SCREW M6x8	螺钉	2	

Item No	Parts Number	Parts Name(EN)	Parts Name(CN)	Qty	Remark(s)
36	0700-011403	DAMPER, OIL RETURN HOSE	回油管减震橡胶套	1	
37	30601-211550	STEEL BAND CLAMP B11.5	钢带管箍B11.5	2	B11.5
38	0700-011401	CONNECTING PIPE BREATHER	呼吸器连接管	1	
39	0700-012104-00002	SCREW PLUG M6, OIL PASSAGE	油道螺堵M6	1	M6
40	0700-022018	SOLID PIN 8x14	实心销	3	8x14
41	0700-012201	O-SEAL RING 5x2	O形密封圈	3	5x2
42	0700-066005	PLUG 6	堵头6	2	6
43	0700-011202	O-SEAL RING	O型密封圈	3	8.2x1.90
44	0700-012701	O-SEAL RING	O型密封圈10x2	2	10x2
45	0700-070003	O-SEAL RING 14x2.5	O形密封圈	2	14x2.5
46	0700-011107	SHAFT SLEEVE	轴套	2	
47	0700-012007-00001	BOLT M7x40	螺栓	6	M7x40
48	0700-012004-00001	BOLT M8x60	螺栓	3	M8x60
49	0700-012003-00001	BOLT M8x73	螺栓	2	M8x73
50	0700-012011-00001	BOLT M8x50	螺栓	1	M8x50
51	0700-012009-00001	BOLT M7x34	螺栓	1	M7x34
52	0700-012005-00001	BOLT M7x47	螺栓	1	M7x47
53	0700-011001-00001	BOLT M8x110	螺栓	3	M8x110
54	0700-011002-00001	BOLT M8x120	螺栓	1	M8x120
55	0700-012001	BOLT M9x113	螺栓	4	M9x113
56	0700-012008-00001	BOLT M9x83	螺栓	2	M9x83
57	0700-012002	WASHER	垫圈	6	9.2x19x2.3
58	0010-022012	WASHER 8	垫圈8	3	8
59	0800-011400	NOZZLE VALVE ASSY	喷嘴阀组件	2	
60	01A0-056004	DOWEL PIN	定位销φ6×12	1	6x12

# 右&左侧盖分总成 / RIGHT&LEFT SIDE COVER



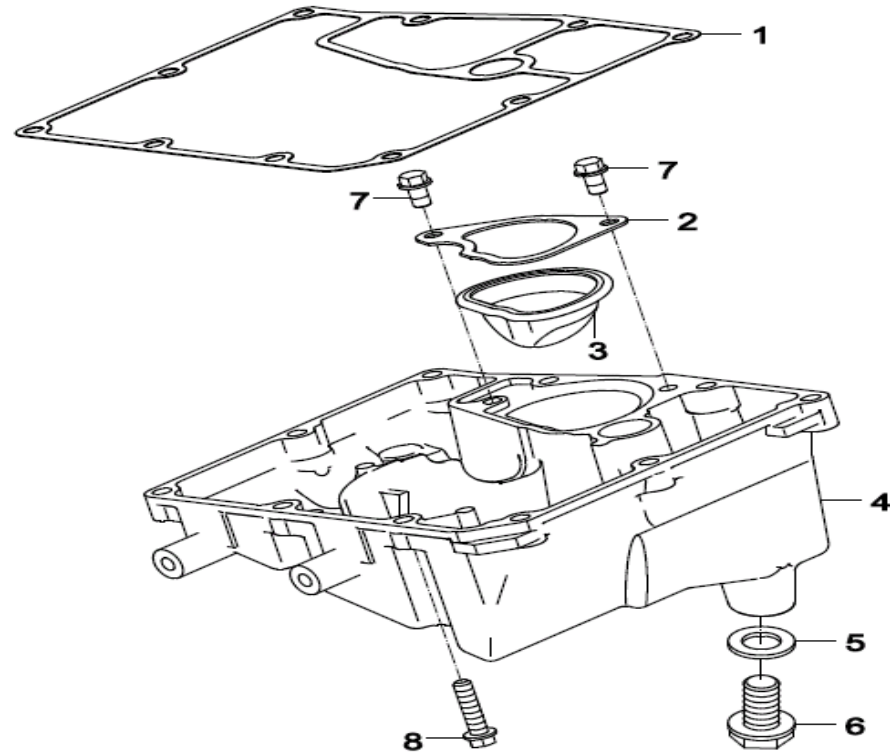
14:08:38

21-08-10

Item No	Parts Number	Parts Name(EN)	Parts Name(CN)	Qty	Remark(s)
02	30406-00401	ROLLER NEEDLE P4x7.8	滚针P4x7.8	4	P4x7.8
03	0110-013030	O-SEAL RING 18x3.55	O形密封圈	1	18x3.55
04	01A0-012003	O-SEAL RING 35x3.5	O形密封圈	1	35x3.5
05	0700-065301	HOLDER	支座	1	
06	0700-013002-10000	GASKET, RH SIDE COVER	右侧盖密封垫	1	
07	0700-014002-10000	GASKET, LH SIDE COVER	左侧盖密封垫	1	
08	0700-065202-10000	GASKET, TRANSMISSION COVER	换挡轴盖垫片	1	
09	01A0-012002-0H700	COVER, OIL STRAINER	滤网盖	1	SILVER GREY
10	0700-014001-CH700	LH SIDE COVER	左侧盖	1	SILVER GREY
11	0700-013001-9H700	RH SIDE COVER	右侧盖	1	SILVER GREY
12	0700-065201-3B200	COVER, GEARSHIFT SHAFT	换挡轴盖	1	MATTE BLACK
13	0700-013008	PLUG, OIL FILLING	加油塞	1	
14	0700-063008	BALL CONTACTOR	球形触头	1	
15	0700-013100-00001	VIEWER, OIL LEVEL	油面观察窗组合	1	
17	30128-060016830	SCREW M6x16	螺钉	1	M6x16
18	0010-080008	DOWEL PIN	定位销Φ8X14	4	8X14
19	30403-01200	NEEDLE BEARING HK1210	滚针轴承HK1210	2	HK1210
20	30403-01300	NEEDLE BEARING HK1312	滚针轴承HK1312	1	HK1312
21	0010-080009	OIL SEAL	油封	1	12x20x5
22	0700-065220	OIL SEAL 13x22x5.5	油封	1	13x22x5.5
23	01A0-013005	O-SEAL RING	O形密封圈	1	13x2
24	0010-060010	WASHER 10	垫圈10	1	10
25	0700-013003-10000	HOLE CAP, TIMING INSPECTION	正时观察孔盖	1	
26	0180-013208-0010	BOLT M6x45	螺栓	2	M6x45
27	0010-013009-0010	BOLT M6x40	螺栓	1	M6x40
28	0010-060012-0010	BOLT M6x30	螺栓	3	M6x30
29	0010-013008-0010	BOLT M6x35	螺栓	2	M6x35
30	0700-065230-10001	GEAR POSITION SENSOR	档位接触器	1	
31	0010-023010-0010	BOLT M6x20	螺栓	2	M6x20
32	0010-021017-0010	BOLT M6x25	螺栓	23	M6x25
33	0020-011018-00001	BOLT	螺栓	1	
35	0700-066005	PLUG 6	堵头6	1	6
36	0700-065203	SPRING	弹簧	1	
37	0HU0-013009	RETAINER	钢丝挡圈	1	
38	0180-023002	O-SEAL RING 24x2.5	O形密封圈24x2.5	1	24x2.5

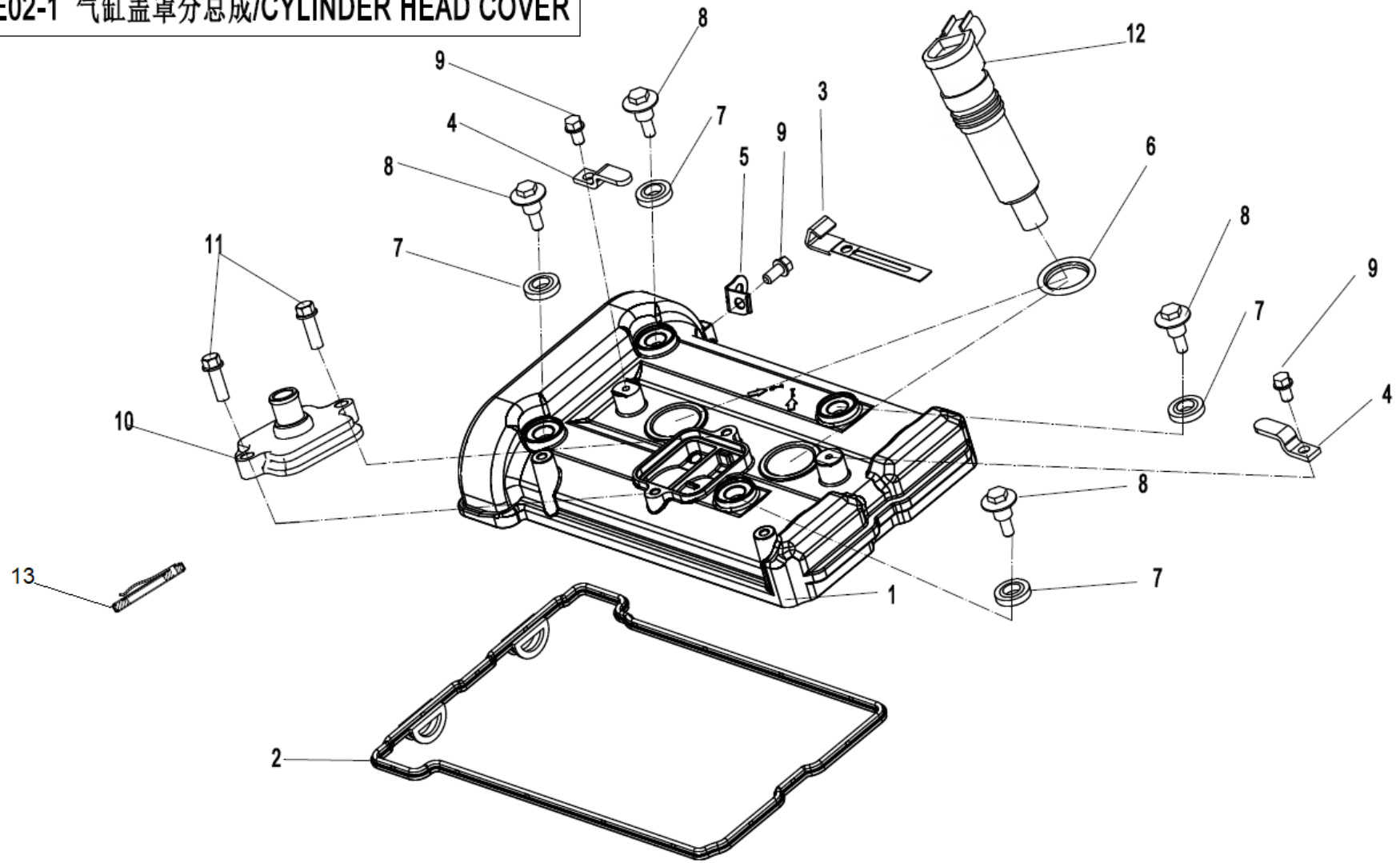
E01-3 油底壳分总成 OIL PAN

E01-3 油底壳分总成 OIL PAN



Item No	Parts Number	Parts Name(EN)	Parts Name(CN)	Qty	Remark(s)
01	0700-015004-10000	GASKET, OIL PAN	油底壳垫片	1	
02	0700-015003	HOLDER, OIL STRAINER	机油粗滤网压板	1	
03	0700-015002	OIL STRAINER	机油粗滤网	1	
04	0700-015001-00001	OIL PAN	油底壳	1	
05	0010-021014	WASHER 12	垫圈12	1	12
06	0700-015006	DRAIN BOLT, M12x22	放油螺栓	1	M12x22
07	0010-080010-0010	BOLT M6x10	螺栓	2	M6x10
08	0010-021017-0010	BOLT M6x25	螺栓	10	M6x25

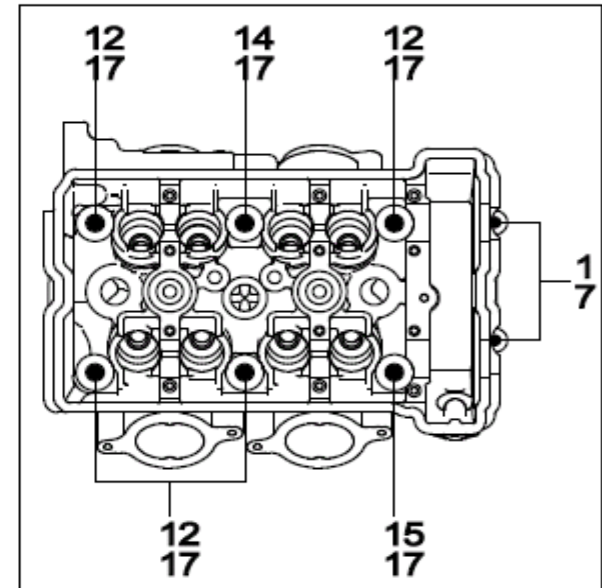
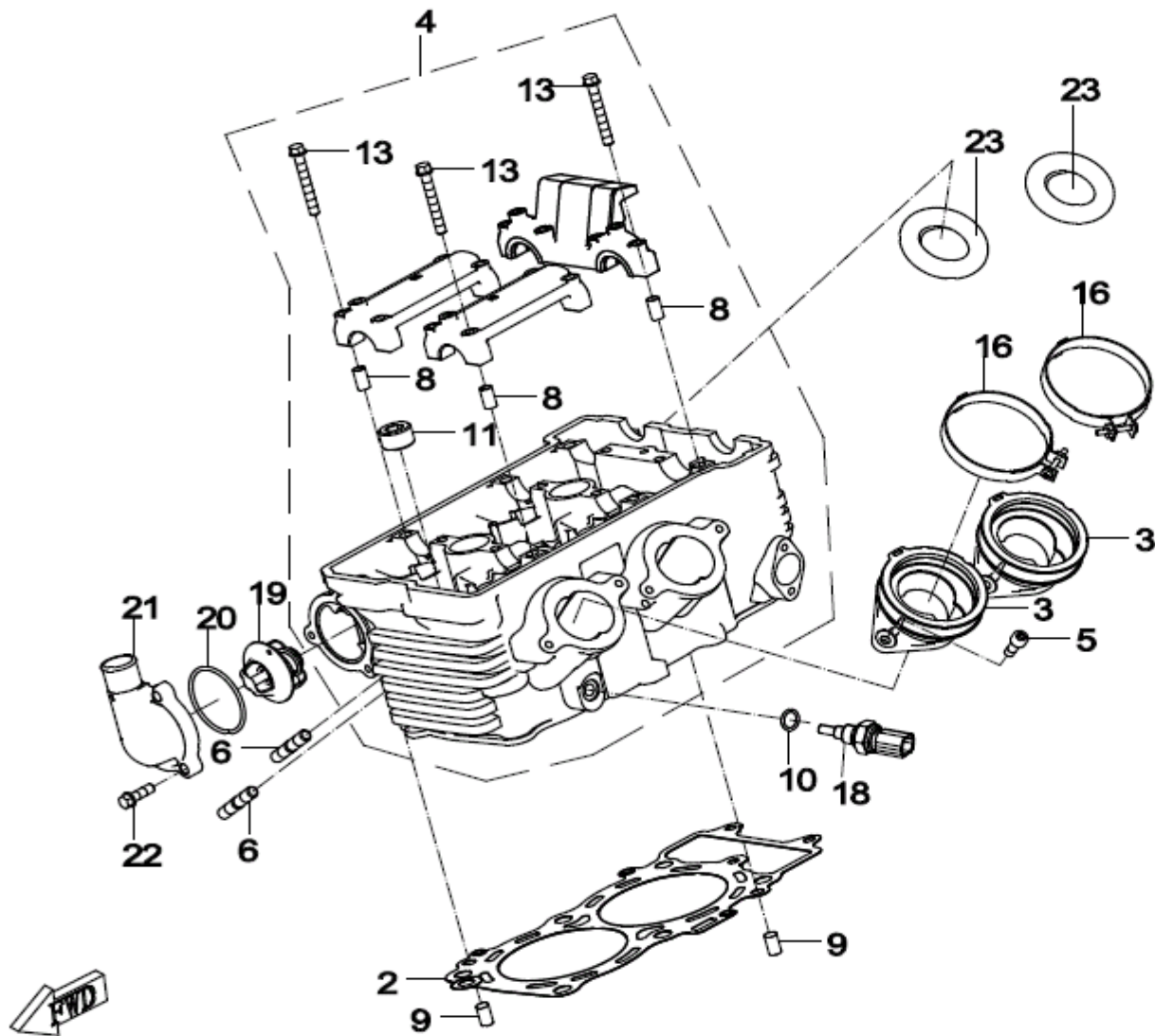
E02-1 气缸盖罩分总成/CYLINDER HEAD COVER





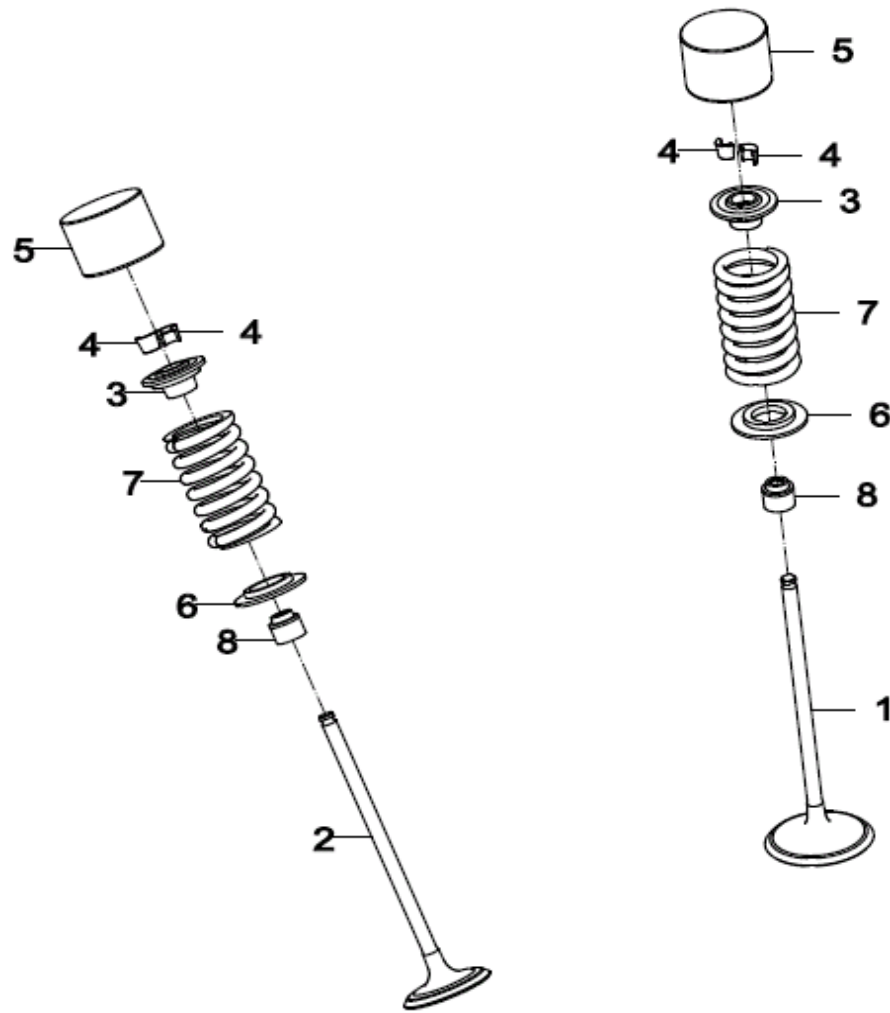
Item No	Parts Number	Parts Name(EN)	Parts Name(CN)	Qty	Remark(s)
01	0HTC-021001-1B200	COVER, CYLINDER HEAD	气缸盖罩	1	MATTE SILVER GREY
02	0700-021400-00010	SEAL RING, CYLINDER HEAD COVER	气缸盖罩密封圈	1	GALVANIZED TRIVALENT CHRO
03	0180-014010	WIRE CLIP	线夹组合	1	M6x12
04	0700-021005	PRESS PLATE	压板	2	
05	0700-021002	BRACKET, CLUTCH CABLE	离合器拉索支架	1	
06	0HU0-021300	SEAL RING, SPARK PLUG	火花塞孔密封圈组件	2	
07	0700-021200	CYLINDER HEAD COVER BOLT SEAL RING	气缸盖罩螺栓密封圈	4	
08	0700-021003-00001	CYLINDER HEAD COVER BOLT	气缸盖罩螺栓	4	
09	0010-021019-0010	BOLT M6x12	螺栓	3	
10	0HU0-021004-1BP00	CAP, ONE-WAY VALVE	单向阀盖	1	
11	0010-023010-0010	BOLT M6x20	螺栓	2	
12	0700-178000	IGNITION COIL	点火线圈	2	
13	0MQB-021100-20001	SPRING VALVE ASSY	簧片阀组合	1	

# E02-2 气缸盖分总成(1)/CYLINDER HEAD(1)



Item No	Parts Number	Parts Name(EN)	Parts Name(CN)	Qty	Remark(s)
01	0HU0-022002	INNER HEX SCREW M6x30	内六角圆柱头螺钉M6x30	2	
02	0700-022100-0001	GASKET KIT, CYLINDER HEAD	气缸盖垫片组件	1	
03	0700-022320-1000	AIR INLET PIPE	进气管组件	2	
04	0HTC-022200-0B200	CYLINDER HEAD ASSY	气缸盖部件	1	
05	30102-060016810	SCREW	螺钉M6x16	4	
06	0180-022003-00001	STUD	双头螺柱	6	
07	0060-030004-0030	WASHER 6x10.4x1.6	垫圈	2	6x10.4x1.6
08	0010-080008	DOWEL PIN	定位销Φ8X14	6	8X14
09	0700-022018	SOLID PIN 8x14	实心销	2	8x14
10	0700-022019	WASHER	垫圈	1	12.5x20x1
11	0700-022236	PLUG, PT1/2	锥堵1/2	3	
12	0700-022013-00001	CYLINDER HEAD BOLT	气缸盖螺栓	4	M10x158@GALVANIZED TRIVALENT CH
13	0700-022204	HEX FLANGE BOLT M6x45	六角法兰面螺栓	12	M6X45
14	0700-022014-10001	CYLINDER HEAD BOLT	气缸盖螺栓	1	M10x176@GALVANIZED TRIVALENT CH
15	0700-022015-00002	CYLINDER HEAD BOLT	气缸盖螺栓	1	
16	0700-022330	CLAMP, AIR INLET PIPE	进气管卡箍组件	2	
17	0700-022016	WASHER 10.5x19x2.3	垫圈	6	10.5x19x2.3
18	018B-022810	WATER TEMPERATURE SENSOR	水温传感器	1	
19	0700-022500-0001	THERMOSTAT	调温器	1	
20	0700-022011	O-SEAL RING 44.5x2.5	O形密封圈	1	44.5x2.5
21	0700-022009-1B200	THERMOSTAT CAP	节温器盖	1	
22	0010-023010-0010	BOLT M6x20	螺栓	3	M6x20
23	0700-022012	GASKET, EXHAUST PIPE	排气管衬垫	2	

E02-3 气缸盖分总成(2)/CYLINDER HEAD(2)



Item No	Parts Number	Parts Name(EN)	Parts Name(CN)	Qty	Remark(s)
01	0700-022001-20000	INTAKE VALVE	进气门	4	
02	0700-022002-20001	EXHAUST VALVE	排气门	4	
03	0700-022003	UPPER SEAT, VALVE SPRING	气门弹簧上座	8	
04	0700-022004	LOCK CLIP, VALVE	气门锁夹	16	
05	0700-022005-15500	TAPPET	挺柱	8	t=4.28
05	0700-022005-0530	TAPPET	挺柱	8	t=4.26
05	0700-022005-0520	TAPPET	挺柱	8	t=4.24
05	0700-022005-15200	TAPPET	挺柱	8	t=4.22
05	0700-022005-15100	TAPPET	挺柱	8	t=4.20
05	0700-022005-0490	TAPPET	挺柱	8	t=4.18
05	0700-022005-0480	TAPPET	挺柱	8	t=4.16
05	0700-022005-0470	TAPPET	挺柱	8	t=4.14
05	0700-022005-0460	TAPPET	挺柱	8	t=4.12
05	0700-022005-0450	TAPPET	挺柱	8	t=4.10
05	0700-022005-0440	TAPPET	挺柱	8	t=4.08
05	0700-022005-0430	TAPPET	挺柱	8	t=4.06
05	0700-022005-0420	TAPPET	挺柱	8	t=4.04
05	0700-022005-0410	TAPPET	挺柱	8	t=4.02
05	0700-022005-0400	TAPPET	挺柱	8	t=4.00
05	0700-022005-0390	TAPPET	挺柱	8	t=3.98
05	0700-022005-0380	TAPPET	挺柱	8	t=3.96
05	0700-022005-0370	TAPPET	挺柱	8	t=3.94
05	0700-022005-0360	TAPPET	挺柱	8	t=3.92
05	0700-022005-0350	TAPPET	挺柱	8	t=3.90
05	0700-022005-0340	TAPPET	挺柱	8	t=3.88
05	0700-022005-0330	TAPPET	挺柱	8	t=3.86
05	0700-022005-0320	TAPPET	挺柱	8	t=3.84
05	0700-022005-0310	TAPPET	挺柱	8	t=3.82
05	0700-022005-0300	TAPPET	挺柱	8	t=3.80
05	0700-022005-0290	TAPPET	挺柱	8	t=3.78
05	0700-022005-0280	TAPPET	挺柱	8	t=3.76
05	0700-022005-12800	TAPPET	挺柱	8	t=3.74
05	0700-022005-0260	TAPPET	挺柱	8	t=3.72
05	0700-022005-0250	TAPPET	挺柱	8	t=3.70
05	0700-022005-0240	TAPPET	挺柱	8	t=3.68

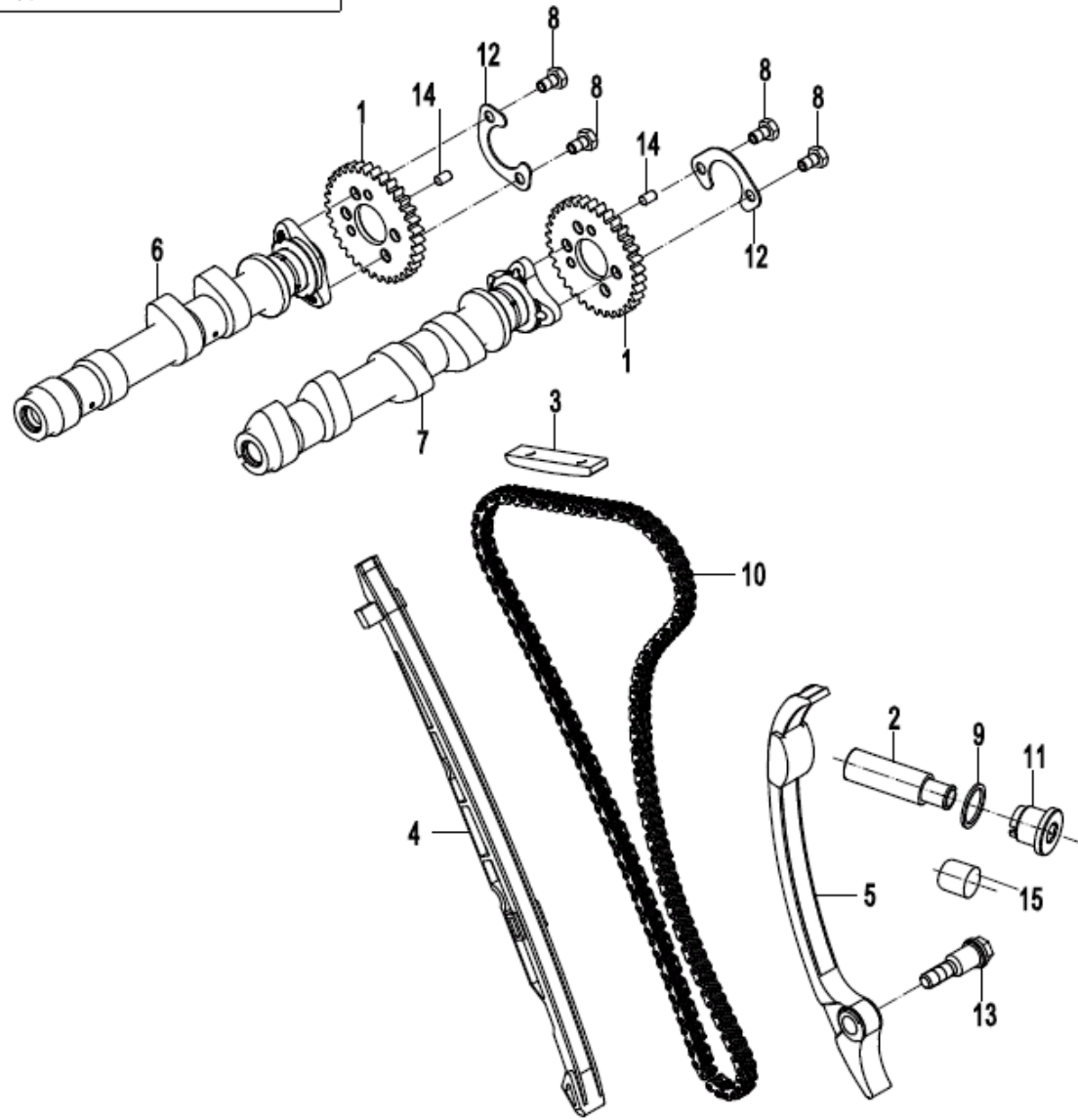
05	0700-022005-0230	TAPPET	挺柱	8	t=3.66
05	0700-022005-0220	TAPPET	挺柱	8	t=3.64
05	0700-022005-0210	TAPPET	挺柱	8	t=3.62
05	0700-022005-0200	TAPPET	挺柱	8	t=3.60
05	0700-022005-0190	TAPPET	挺柱	8	t=3.58
05	0700-022005-0180	TAPPET	挺柱	8	t=3.56
05	0700-022005-0170	TAPPET	挺柱	8	t=3.54
05	0700-022005-0160	TAPPET	挺柱	8	t=3.52
05	0700-022005-0150	TAPPET	挺柱	8	t=3.50
05	0700-022005-0140	TAPPET	挺柱	8	t=3.48
05	0700-022005-0130	TAPPET	挺柱	8	t=3.46
05	0700-022005-0120	TAPPET	挺柱	8	t=3.44
06	0700-022006	LOWER SEAT, VALVE SPRING	气门弹簧下座	8	
07	0700-022007	SPRING, VALVE	气门弹簧	8	
08	0700-022400-1000	SEAL RING, VALVE STEM	气门杆密封圈组件	8	



Item No	Parts Number	Parts Name(EN)	Parts Name(CN)	Qty	Remark(s)
01	0060-030003-00001	INNER HEX BOLT	内六角圆柱头螺栓	2	
02	0700-023001-4B200	CYLINDER BODY	气缸体	1	MATTE BLACK
03	0700-023002-0001	GASKET, CYLINDER	气缸体垫片	1	
04	0700-040007-20020	PISTON	活塞	2	MARK 2
04	0700-040007-20010	PISTON	活塞	2	MARK 1
05	0700-040008	PISTON PIN	活塞销	2	
06	0700-0400A0	PISTON RING ASSY	活塞环组合	2	
07	0700-023004	WASHER	垫圈	1	8.5x15.5x2
08	0700-040009	CIRCLIP, PISTON PIN	活塞销挡圈	4	
09	0700-022018	SOLID PIN 8x14	实心销	2	8x14
10	0700-023003-00001	BOLT M8x43	螺栓	1	M8x43
10	0700-023003-00002	BOLT	螺栓	1	
11	0700-022016	WASHER 10.5x19x2.3	垫圈	1	10.5x19x2.3
12	0700-011111-00001	NUT M10x1.25	螺母	1	M10x1.25
12	0700-011111-00002	NUT	螺母	1	
13	0700-023005	RESTRICTION PLUG	节流塞	1	
14	0700-0230A0	PISTON, CYLINDER BODY	气缸体活塞组合	1	

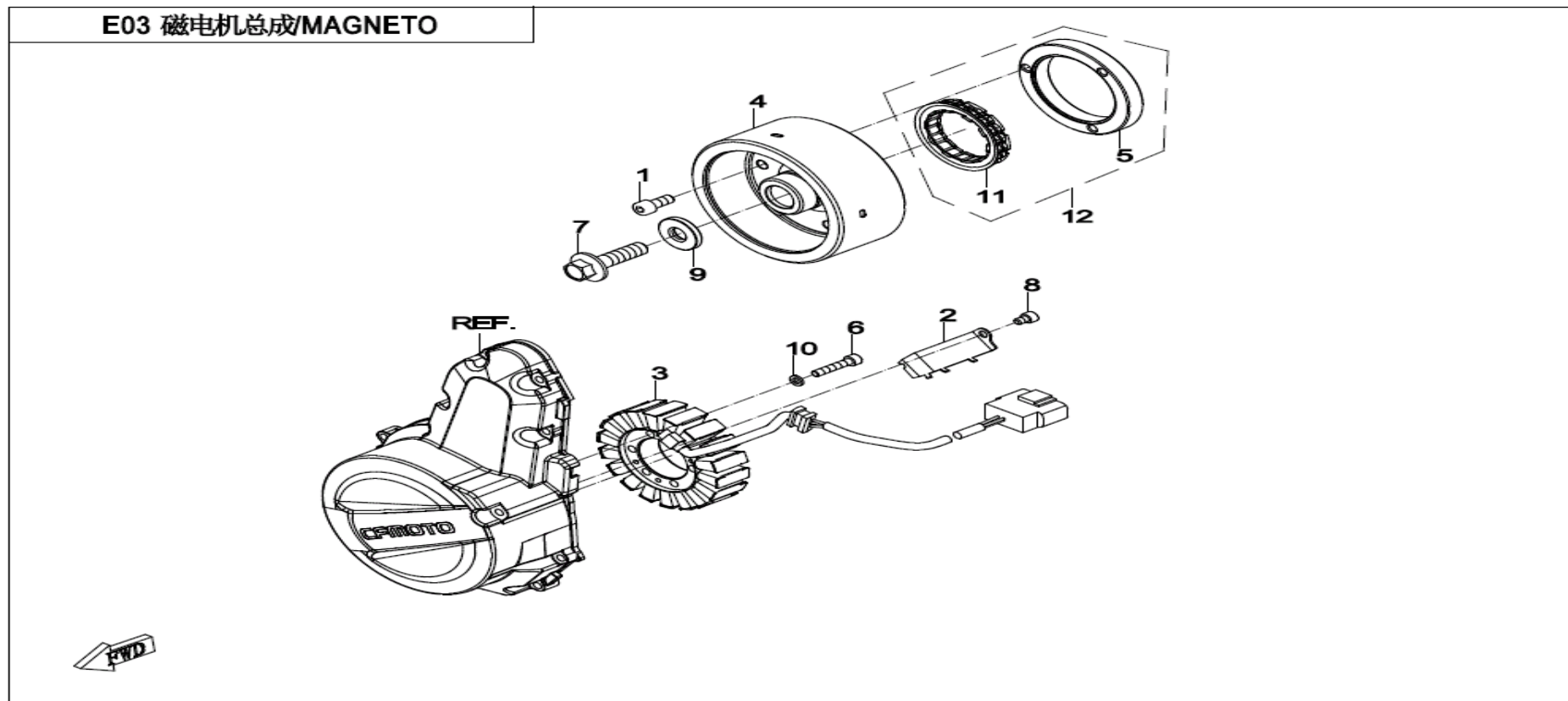


配气传动分总成CAMSHAFT



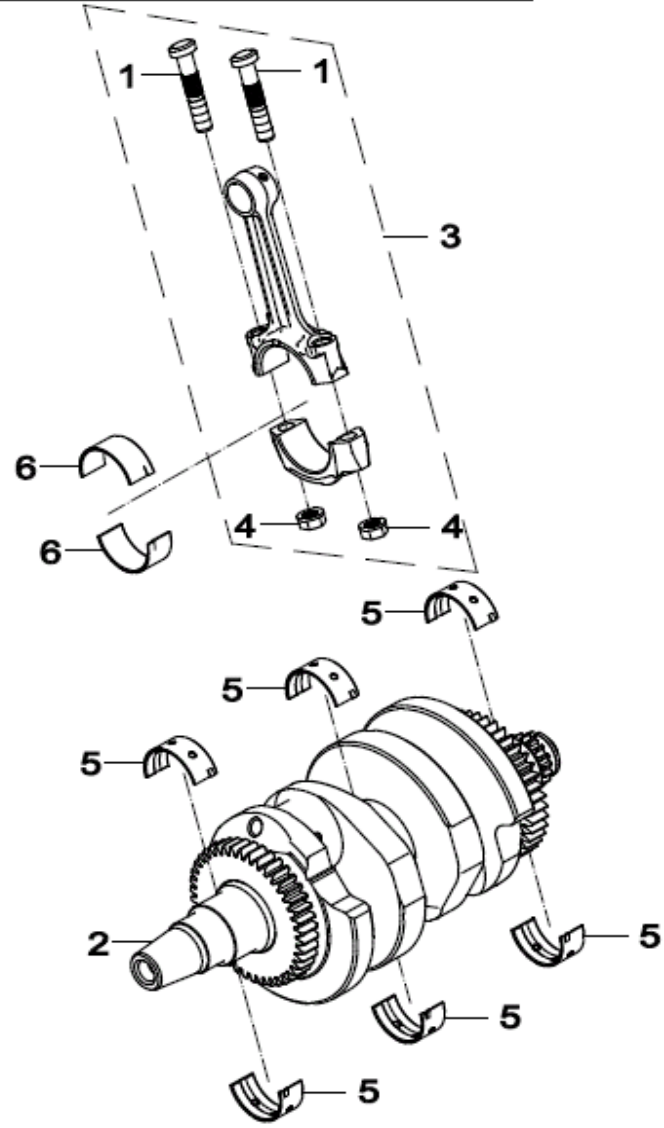
Item No	Parts Number	Parts Name(EN)	Parts Name(CN)	Qty	Remark(s)
01	0700-024002-0001	TIMING SPROCKET	正时链轮	2	1-3 GEAR
02	0MQ0-024400	TENSIONER ASSY	张紧器组件	1	
03	0700-022017	CHAIN GUIDE BLOCK	导链块	1	
04	0MQ0-024006	CHAIN GUIDE	链条导板	1	
05	0MQ0-024300	TENSION PLATE ASSY	张紧板组件	1	
06	0700-024500	CAMSHAFT, EXHAUST	排气凸轮轴组件	1	
07	0700-024400	CAMSHAFT, AIR INLET	进气凸轮轴组件	1	
08	30004-060010150	BOLT M6x10	螺栓	4	M6x10
09	0700-024001	O-SEAL RING 19x2	O形密封圈	1	19x2
10	0700-024200-00030	TIMING CHAIN	正时链条组件	1	1-3 GEAR
11	0MQ0-024001	SCREW PLUG M16x14	螺塞	1	
11	0MQ0-024001-00001	SCREW PLUG	螺塞	1	
12	0700-024003	RETAINER	止动挡片	2	
13	0700-024008-00001	PIN SHAFT	螺纹销轴	1	P5X7.8
14	30406-00501	ROLLER NEEDLE P5x7.8	滚针P5X7.8	2	
15	0A70-012007	PLUG	堵头	1	11.5x17x2

# E03 磁电机总成 MAGNETO



Item No	Parts Number	Parts Name(EN)	Parts Name(CN)	Qty	Remark(s)
01	0110-090009-00002	INNER HEX SCREW	内六角圆柱头螺钉	3	
02	0700-030001-00001	PLATE	压线板	1	
03	070V-032000-1300	TRIGGER	磁电机定子组合	1	
04	0700-031000	MAGNETO ROTOR	磁电机转子组合	1	
05	0700-091001	COUPLING	单向器座	1	
06	0060-030003-00001	INNER HEX BOLT	内六角圆柱头螺栓	3	
07	0700-040001-20000	BOLT M12x1.25x45	螺栓M12x1.25x45	1	
08	0010-090006-00001	SCREW	螺钉M6x12	1	
09	0700-040002-00001	WASHER	垫圈	1	12.5x33x5
10	0060-030004-0030	WASHER 6x10.4x1.6	垫圈	3	6x10.4x1.6
12	0700-091000	OVERRIDING CLUTCH	超越离合器组件	1	

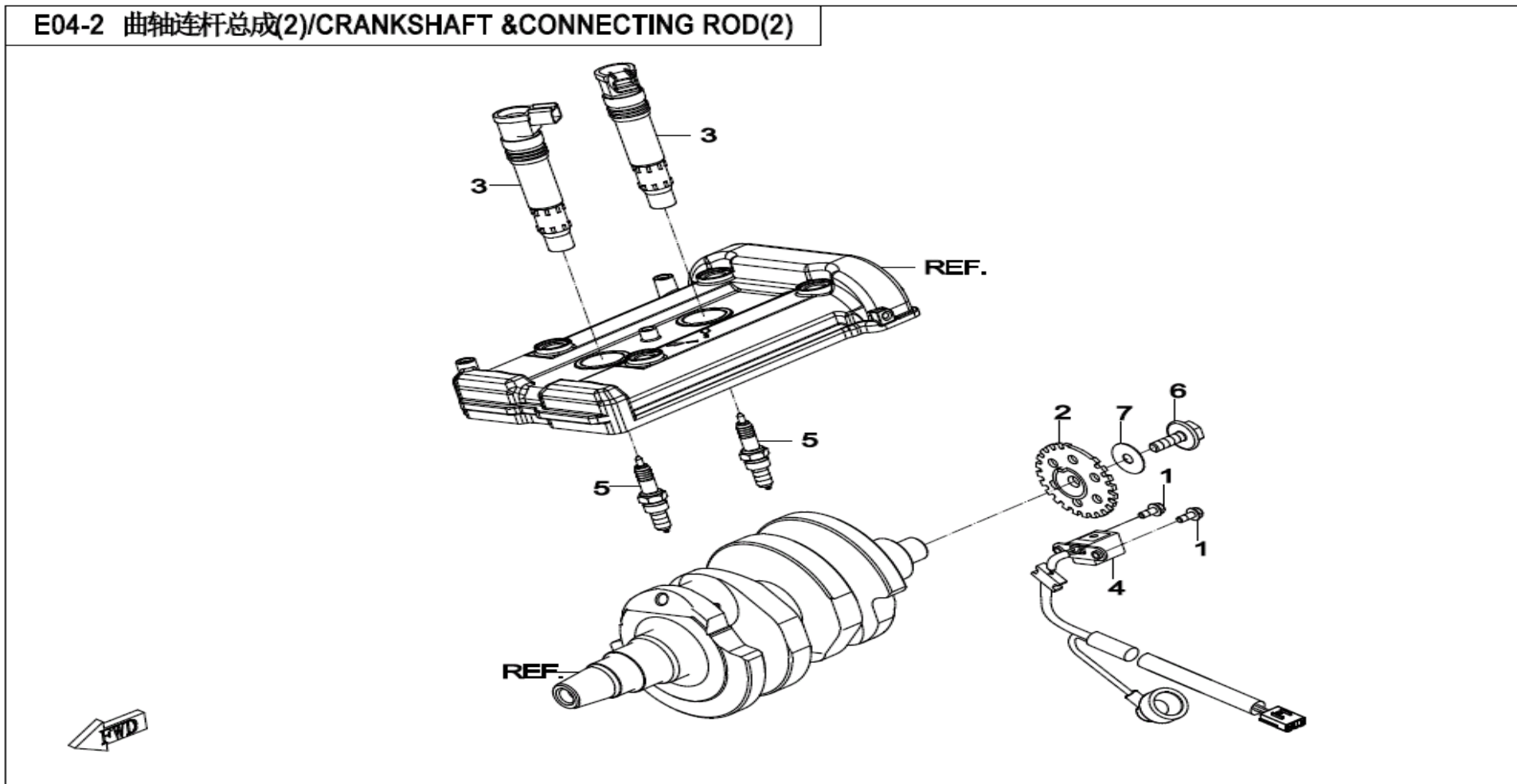
E04-1 曲轴连杆总成(1)/CRANKSHAFT &CONNECTING ROD(1)



Item No	Parts Number	Parts Name(EN)	Parts Name(CN)	Qty	Remark(s)
01	0700-041203-10000	CONNECTING ROD BOLT	连杆螺栓	4	
02	0700-041100-10000	CRANKSHAFT ASSY	曲轴组合	1	
03	0700-041200-40011	CONNECTING ROD ASSY	连杆组件	2	Mark 1_Dia41.010~41.015
03	0700-041200-40021	CONNECTING ROD ASSY	连杆组件	2	Mark 2_Dia41.005~41.010
03	0700-041200-40022	CONNECTING ROD ASSY	连杆组件	2	
03	0700-041200-40012	CONNECTING ROD ASSY	连杆组件	2	
04	0700-041204	NUT, CONNECTING ROD	连杆螺母	4	
05	0700-011003-00011	MAIN PLAIN BEARING	主轴瓦	6	I组
05	0700-011003-00021	MAIN PLAIN BEARING	主轴瓦	1	II组
06	0700-041001-30020	PLAIN BEARING, CONNECTING ROD	连杆轴瓦	4	BLUE_1.488~1.491
06	0700-041001-30010	PLAIN BEARING, CONNECTING ROD	连杆轴瓦	4	BLACK_1.485~1.488
06	0700-041001-30030	PLAIN BEARING, CONNECTING ROD	连杆轴瓦	4	GREEN_1.491~1.494
06	0700-041001-30040	PLAIN BEARING, CONNECTING ROD	连杆轴瓦	4	YELLOW_1.494~1.497
06	0700-041001-30050	PLAIN BEARING, CONNECTING ROD	连杆轴瓦	4	RED_1.497~1.500

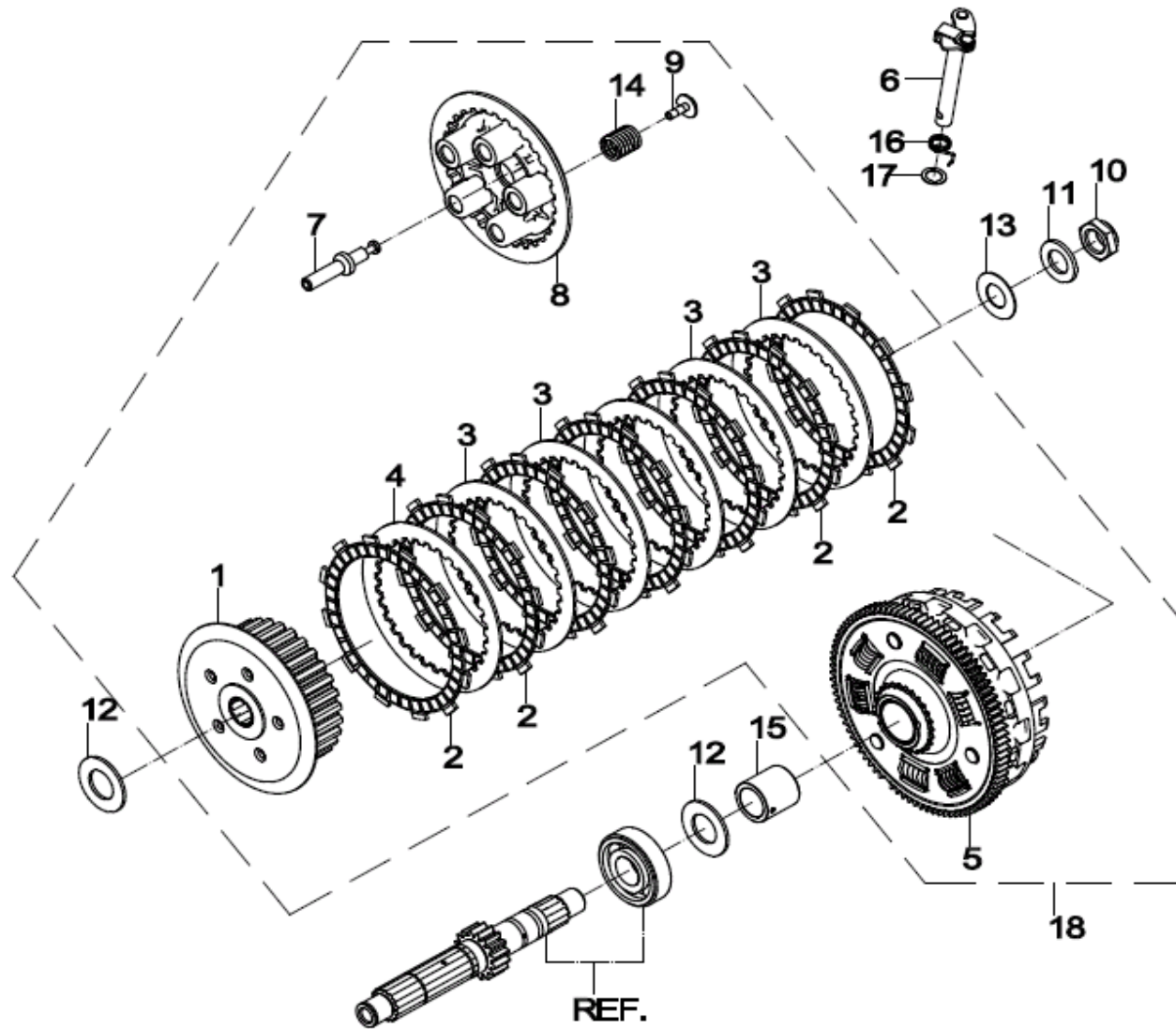
E04-2 曲轴连杆总成 (2) CRANKSHAFT &CONNECTING ROD (2)

E04-2 曲轴连杆总成(2)/CRANKSHAFT &CONNECTING ROD(2)



Item No	Parts Number	Parts Name(EN)	Parts Name(CN)	Qty	Remark(s)
01	0700-012013-00002	BOLT	螺栓	2	
02	0700-040005-10000	PULSING ROTOR, CRANKCASE	曲轴转速触发盘	1	
03	0700-178000	IGNITION COIL	点火线圈	2	
04	070V-012400-1301	TRIGGER	触发器	1	
05	0700-170200	SPARK PLUG	火花塞组件	2	
06	0700-040003-00001	BOLT M8x23	螺栓M8x23	1	
07	0700-040004	WASHER	垫圈	1	8.5x28x0.8

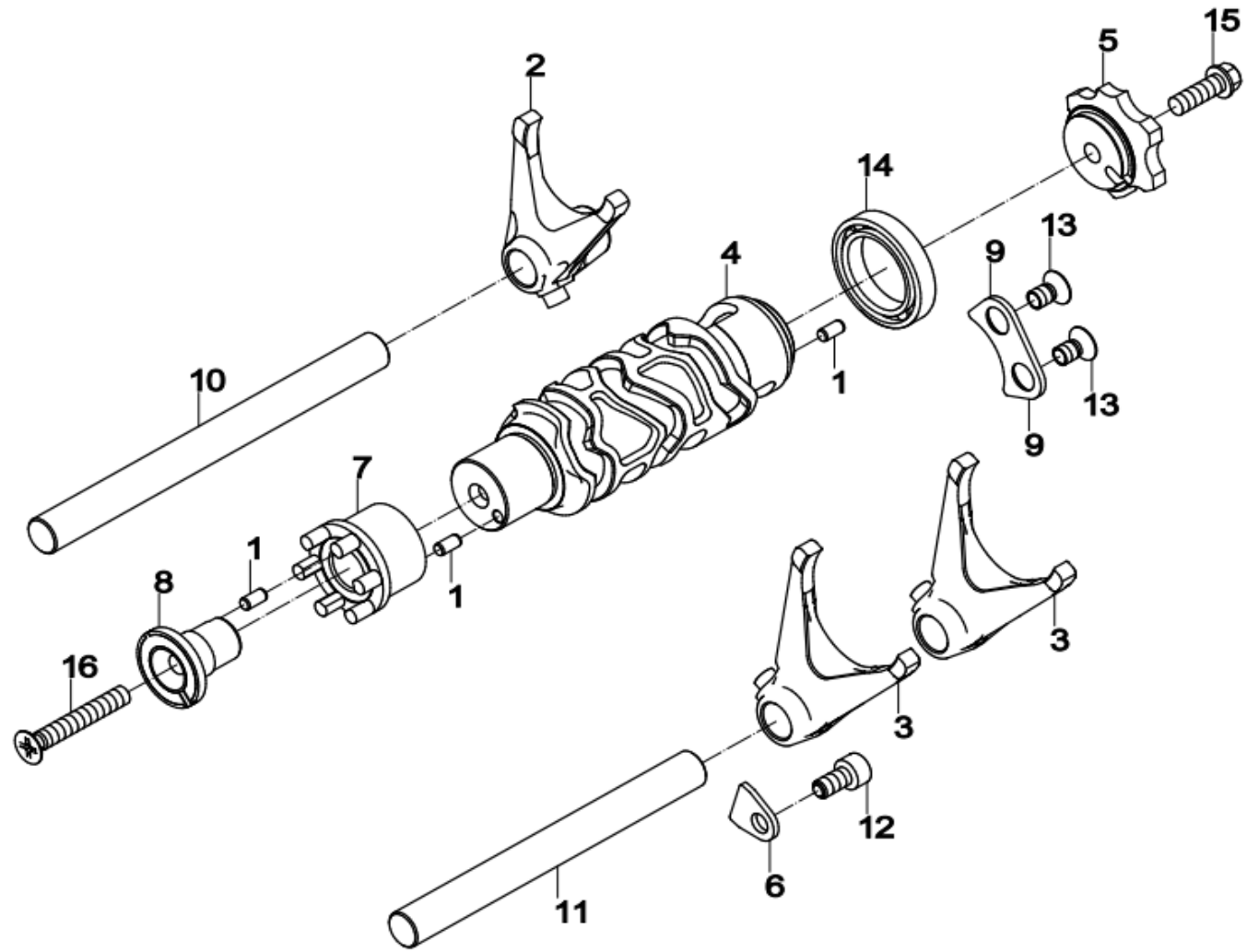
E05 离合器总成/CLUTCH



Item No	Parts Number	Parts Name(EN)	Parts Name(CN)	Qty	Remark(s)
01	0700-050100	CENTRAL SLEEVE	中心套组件	1	
02	0700-050200	FRICTION PLATE	摩擦片组件	7	
03	0700-050001	STEEL PLATE B	钢片B	5	t=2.5
04	0700-050005	STEEL PLATE A	钢片A	1	t=2.0
05	0700-051000	HOUSING ASSY	外罩组合	1	
06	0700-013200-20000	CLUTCH CONTROL SHAFT ASSY	离合控制轴组件	1	
07	0700-050004	TIE-ROD	拉杆	1	
08	0700-0500B0	OPERATING PAD, CLUTCH	压盘合件	1	
09	0700-050300	BOLT ASSY	螺栓组合件	5	M6x20
10	0700-061002-00002	NUT	螺母M20x1.5	1	
11	0700-061003	CIRCLIP 20	弹性垫圈20	1	20
12	0700-061005	WASHER	垫圈	2	25.5x47x2.5
13	0A70-011007	WASHER 20x40x1	垫圈	1	20x40x1
14	0700-050002	PRESS SPRING	压簧	5	
15	0700-061004-00010	SHAFT SLEEVE, CLUTCH	离合器轴套	1	
16	0700-013006-10000	RETURN SPRING, CLUTCH CONTROL LEVER	离合操纵杆回位扭簧	1	
17	0700-013007	WASHER 12.5x18.5x0.6	垫圈	1	
18	0700-052000-00010	CLUTCH ASSY	离合器总成	1	GROUP A

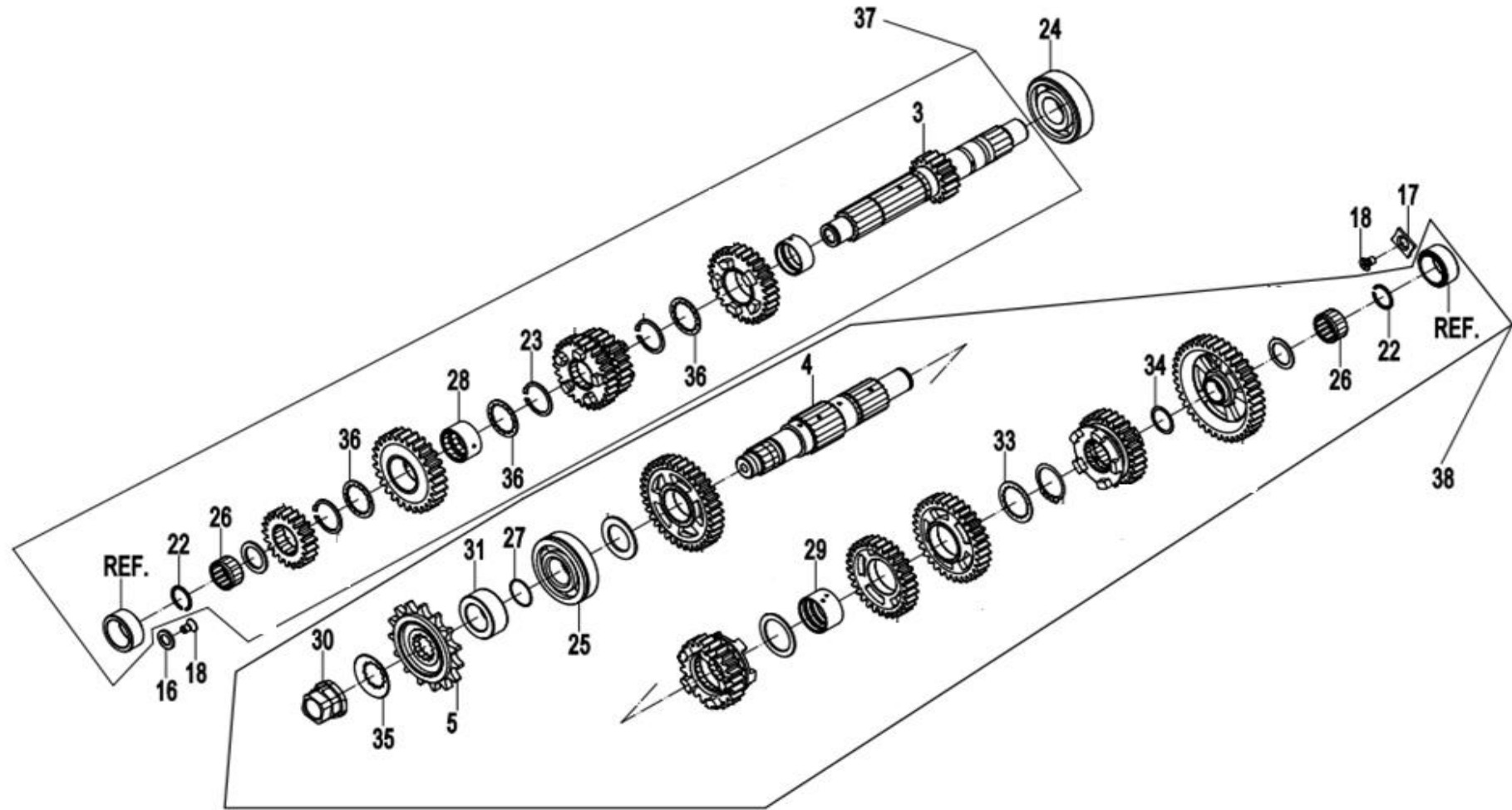


E06-1 换档变速总成(1)/TRANSMISSION SYSTEM(1)

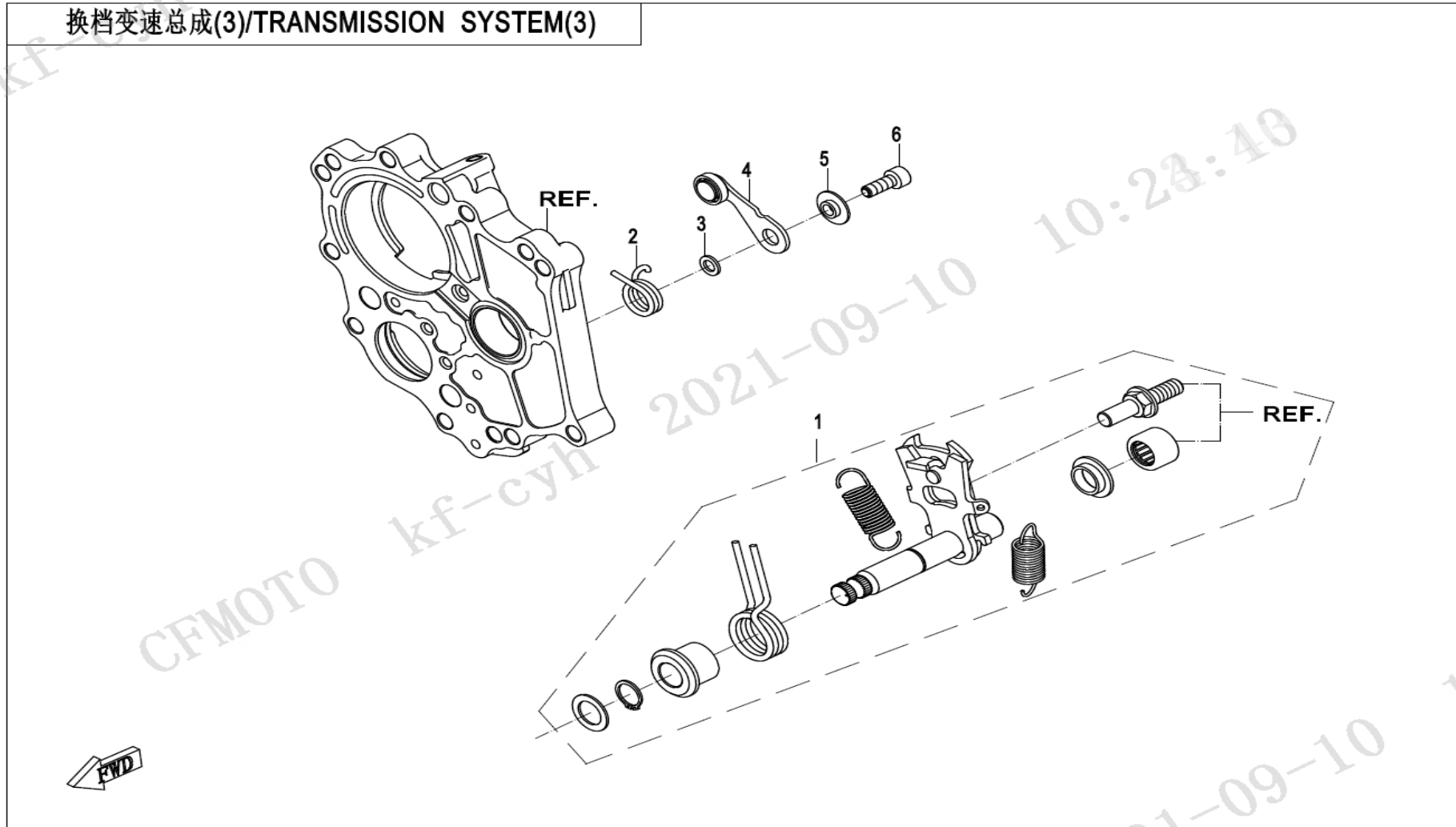


Item No	Parts Number	Parts Name(EN)	Parts Name(CN)	Qty	Remark(s)
01	30406-00401	ROLLER NEEDLE P4x7.8	滚针P4x7.8	3	P4x7.8
02	0700-060004-1000	FORK, MAIN SHAFT	主轴拨叉	1	
03	0700-060002-1000	SHIFT FORK, COUNTERSHAFT	副轴拨叉	2	
04	0700-063001-20000	GEARSHIFT DRUM	变档鼓	1	
05	0700-063002	CAM, GEARSHIFT DRUM	定位星轮	1	
06	0700-066008	PLATE 2	挡板2	1	
07	0HTB-063003-10000	SHIFT LOCATION DRUM	拨轮	1	
08	0700-063004-10001	GEAR DRIVE SHAFT	档位驱动轴	1	
09	0700-066009	PLATE 3	挡板3	1	
10	0700-060003	FORK SHAFT, MAIN SHAFT	主轴拨叉轴	1	
11	0700-060001	SHIFT FORK, COUNTERSHAFT	副轴拨叉轴	1	
12	0010-090006-00001	SCREW	螺钉M6x12	1	
13	0700-066010-00001	SCREW, BEARING PLATE	轴承压板螺钉	2	
14	30400-02504	BEARING	深沟球轴承	1	
15	0010-023008-0010	BOLT M6x18	螺栓	1	M6x18
16	30128-060040830	SCREW M6x40-H	螺钉	1	M6x40-H

E06-2 换档变速总成(2)/TRANSMISSION SYSTEM(2)

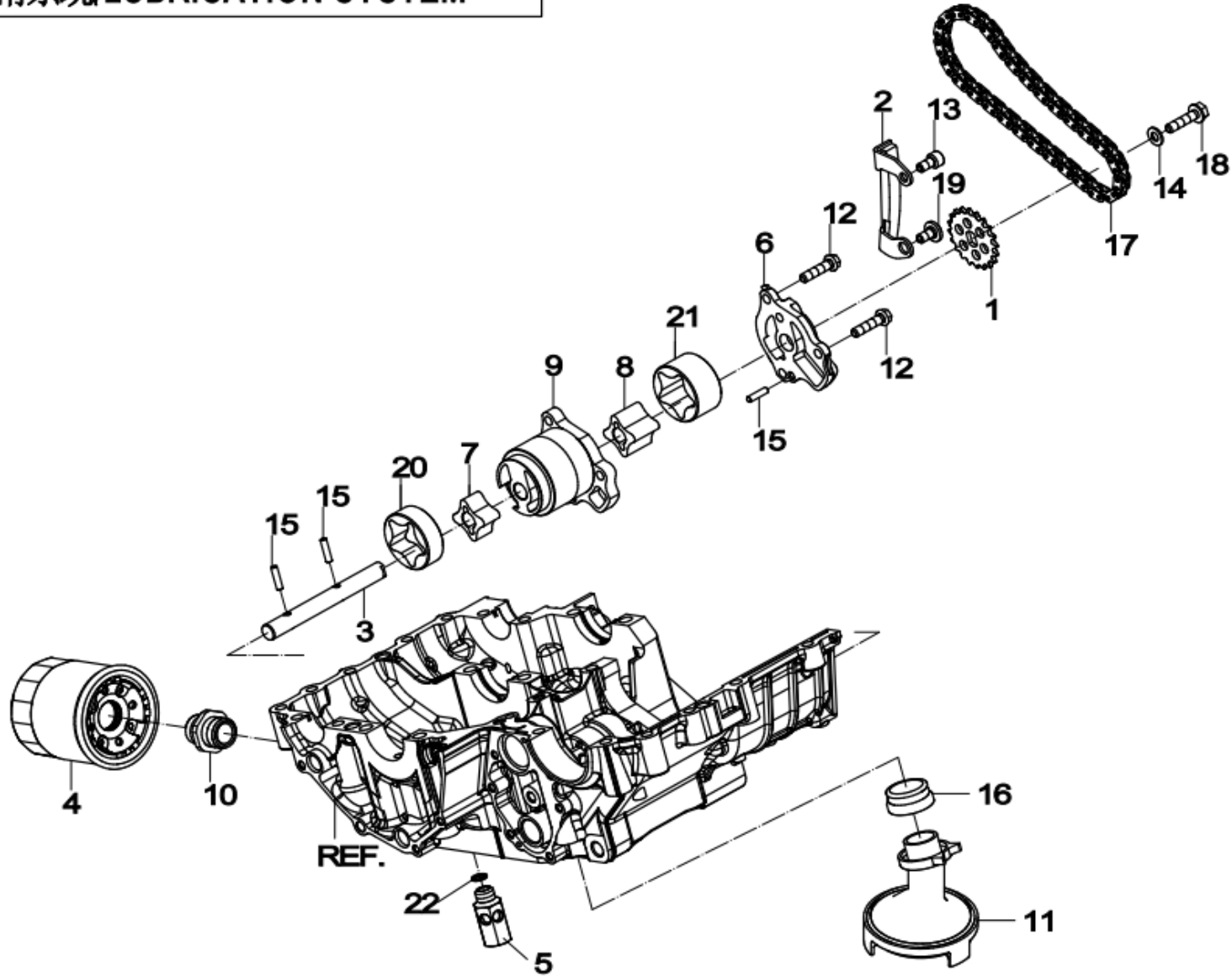


Item No	Parts Number	Parts Name(EN)	Parts Name(CN)	Qty	Remark(s)
03	0700-061001-1000	MAIN SHAFT	主轴	1	1-3 GEAR
04	0700-062001-1000	COUNTERSHAFT	副轴	1	1-3 GEAR
05	0700-062030	SPROCKET, OUTPUT	输出链轮组件	1	
16	0700-011108	PRESS TOOL, SHAFT SLEEVE	轴套压板	1	
17	0700-066003	PLATE 1	挡板1	1	
18	0180-014009-00001	SCREW, PRESS PLATE	油封压板螺钉	2	
22	0700-061016	CIRCLIPS FOR SHAFT20	轴用挡圈20	2	20
24	0700-066002	BEARING 25x62x17	轴承	1	25x62x17
25	0700-010100	BEARING 25x62x17, COUNTERSHAFT	副轴轴承	1	25x62x17
26	30499-02004	NEEDLE BEARING	滚针轴承	2	KMJ20x26x13.8x1S
27	0800-062205	O-SEAL RING 25x2	O形密封圈	1	25x2
28	0700-061012	BUSHING 28x14.7	轴承套28x14.7	1	
29	0700-062007	BUSHING 29.65	轴承套	1	
30	0700-062016-00001	NUT, COUNTER PULSE	记数脉冲螺母	1	
31	0700-062013-1000	COLLAR, COUNTERSHAFT	副轴轴套	1	CHANG ZHOU SU TE
33	0700-062005	WASHER	花键垫圈	1	
34	0700-062003	WASHER 20.4x25x0.5	垫圈	1	20.4x25x0.5
35	0700-062015	WASHER	防松垫圈	1	
36	0700-061008	WASHER	花键垫圈	3	
37	0700-061000-10000	MAIN SHAFT ASSY	主轴部件	1	
38	0700-062000-10000	COUNTERSHAFT	副轴部件	1	



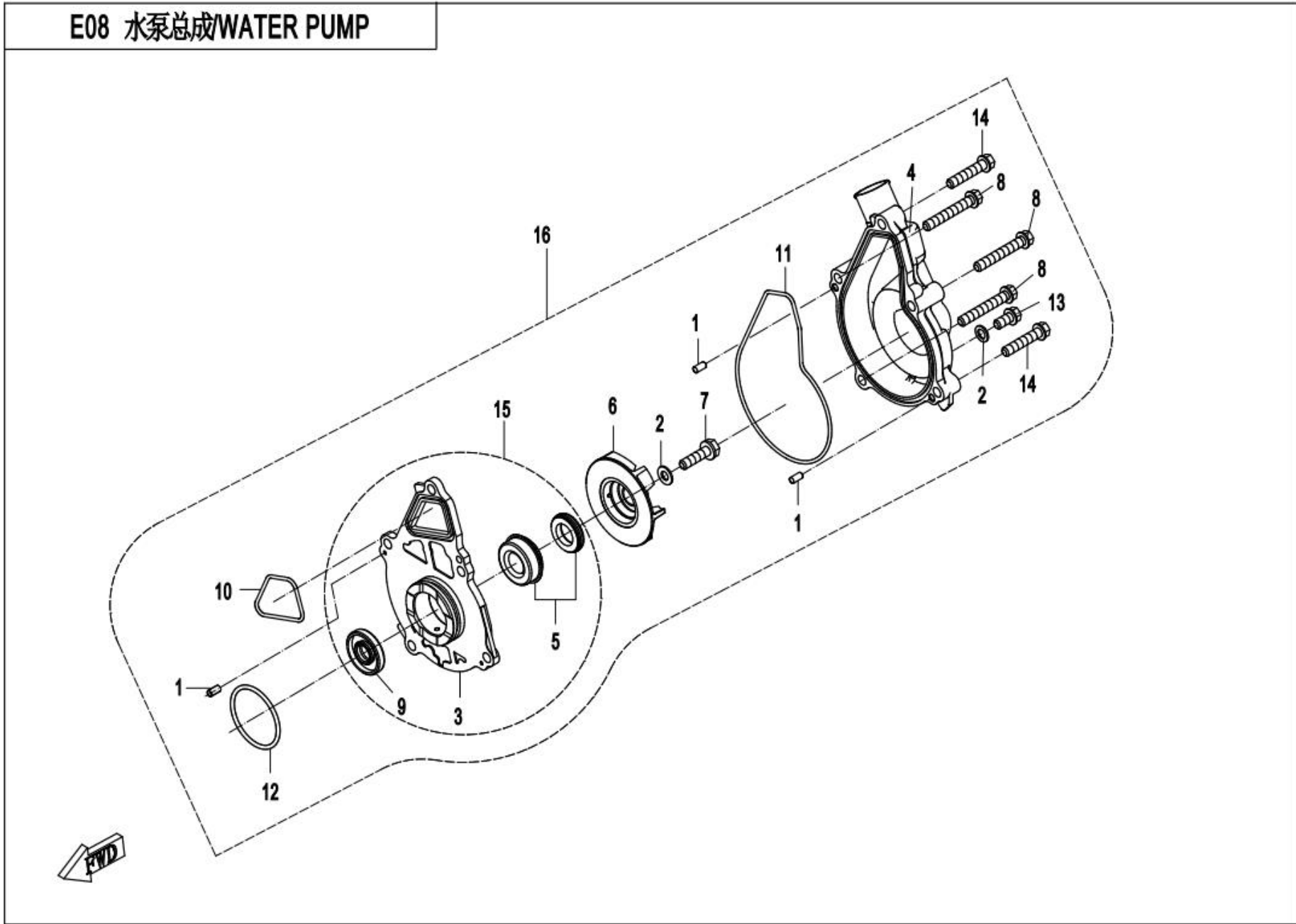
Item No	Parts Number	Parts Name(EN)	Parts Name(CN)	Qty	Remark(s)
01	0700-065100-20000	GEARSHIFT SHAFT SUB ASSY	换档轴分部件	1	
02	0700-064002	SPRING, SWING ARM, GEARSHIFT	换档定位摇臂扭簧	1	
03	0700-064001	WASHER	垫圈	1	6.3x16.3x1.2
04	0700-064100	SWING ARM, GEARSHIFT	换档定位摇臂分部件	1	
05	0700-064003	SLEEVE, SWING ARM, GEARSHIFT	换档定位摇臂轴套	1	
06	30102-060016810	SCREW	螺钉M6x16	1	

# E07 润滑系统/LUBRICATION SYSTEM



Item No	Parts Number	Parts Name(EN)	Parts Name(CN)	Qty	Remark(s)
01	0700-070004	SPROCKET, OIL PUMP	机油泵链轮	1	Huzhou Shuangshi
02	0700-070400	CHAIN GUIDE, OIL PUMP	机油泵链条导板组件	1	
03	0700-071001	SHAFT, OIL PUMP	机油泵轴	1	
04	0700-070200	OIL FILTER	机油滤清器总成	1	
05	0700-012600-1000	RELIEF VALVE, OIL	机油限压阀组件	1	
06	0700-071006-00001	COVER, OIL PUMP	机油泵盖	1	
07	0700-071004	INNER ROTOR, MAIN OIL PUMP	主机油泵内转子	1	
08	0700-071008	INNER ROTOR, AUXILIARY OIL PUMP	副机油泵内转子	1	
09	0700-071002	OIL PUMP	机油泵体	1	
10	0700-012106-00002	OIL FILTER BOLT	机油滤安装螺栓	1	
11	0700-070110	OIL SUCTION PAN ASSY	吸油盘合件	1	
12	0010-021017-0010	BOLT M6x25	螺栓	3	M6x25
13	0010-090006-00001	SCREW	螺钉M6x12	1	
14	0700-064001	WASHER	垫圈	1	6.3x16.3x1.2
15	30406-00400	ROLLER NEEDLE P4x15.8	滚针	3	P4x15.8
16	0700-070101	GASKET, OIL SUCTION PAN	吸油盘密封圈	1	
17	0700-070500	CHAIN, OIL PUMP	机油泵链条组件	1	Huzhou Shuangshi
18	0700-070005	BOLT M6x20	螺栓	1	M6x20, LEFT-HAND THREAD
19	0700-070002-00001	SCREW M6x9	螺钉M6x9	1	
20	0700-071003	OUTER ROTOR, MAIN OIL PUMP	主机油泵外转子	1	
21	0700-071007	OUTER ROTOR, AUXILIARY OIL PUMP	副机油泵外转子	1	
22	0700-012701	O-SEAL RING	O型密封圈10x2	1	10x2

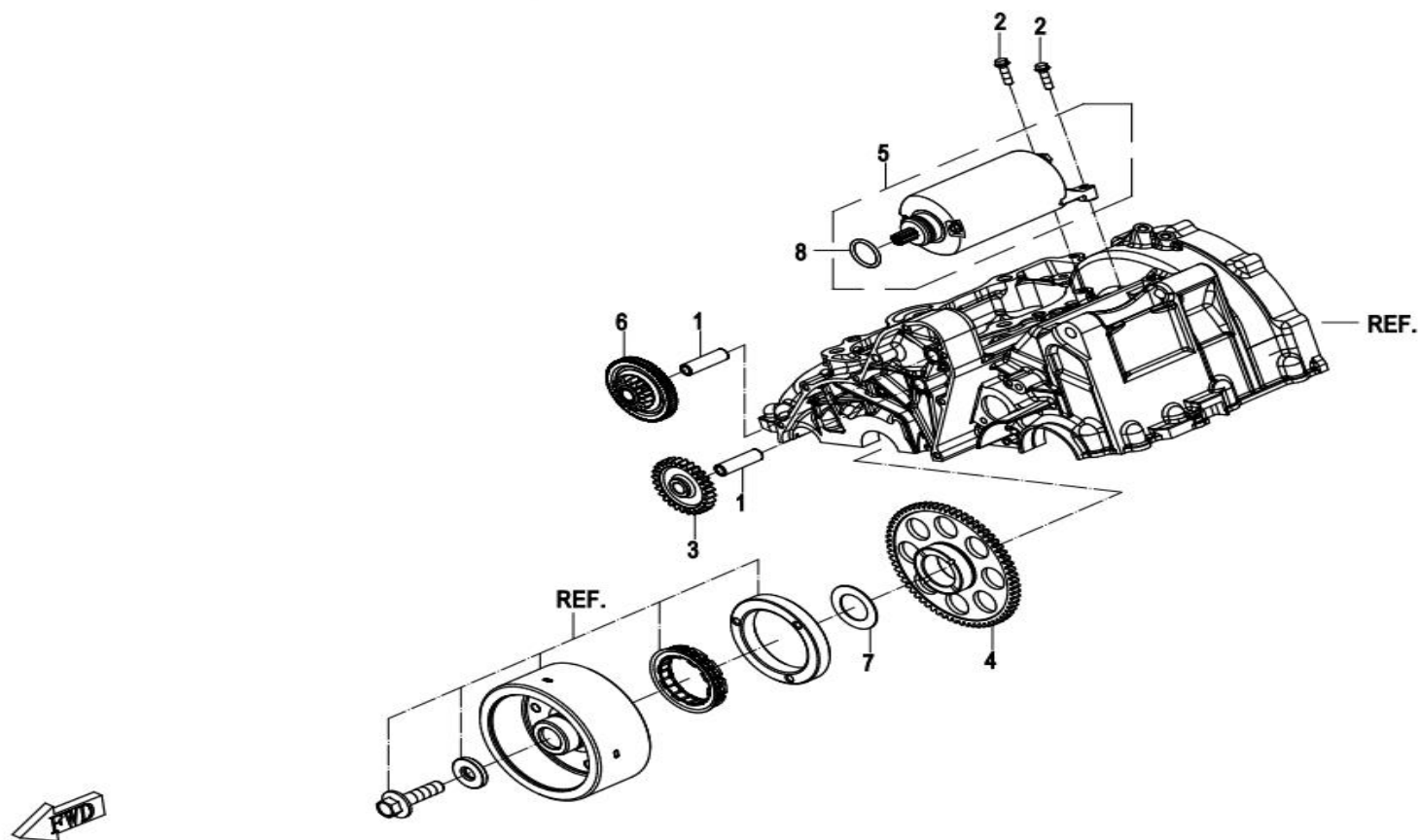
E08 水泵总成/WATER PUMP





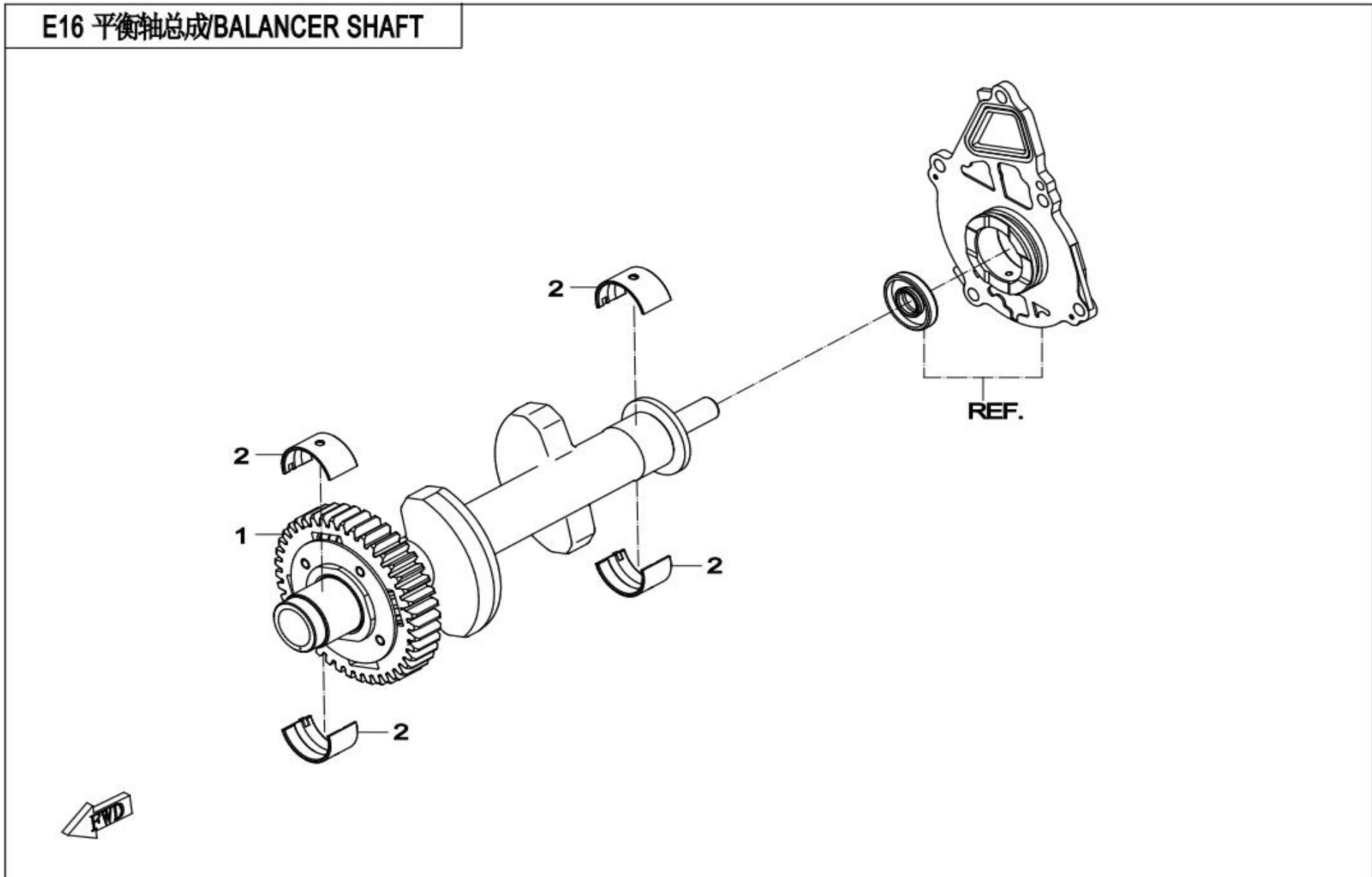
Item No	Parts Number	Parts Name(EN)	Parts Name(CN)	Qty	Remark(s)
01	30406-00401	ROLLER NEEDLE P4x7.8	滚针P4x7.8	3	P4x7.8
02	0010-080011	WASHER 6x12x1	垫圈	2	6x12x1
03	0700-081001-1B200	WATER PUMP BODY	水泵体	1	MATTE BLACK
04	0700-080001-1B200	WATER PUMP COVER	水泵盖	1	MATTE BLACK
05	0700-081200	WATER SEAL ASSY	水封组件	1	
06	0700-080003-00001	IMPELLER, WATER PUMP	水泵叶轮	1	
07	0010-080013-0010	BOLT M6x22	螺栓	1	M6x22
08	0010-013009-0010	BOLT M6x40	螺栓	3	M6x40
09	0700-081100	OIL SEAL 12x32x5.5	油封	1	12x32x5.5
10	0700-081002	SEAL RING, WATER PUMP HOUSING	水泵体密封圈	1	
11	0700-080002	SEAL RING, WATER PUMP COVER	水泵盖密封圈	1	
12	0700-081004	O-RING 37x2.5	O型密封圈37X2.5	1	
13	0010-021019-0010	BOLT M6x12	螺栓	1	M6x12
14	0010-060012-0010	BOLT M6x30	螺栓	2	M6x30

## E09 启动系统/STARTING SYSTEM



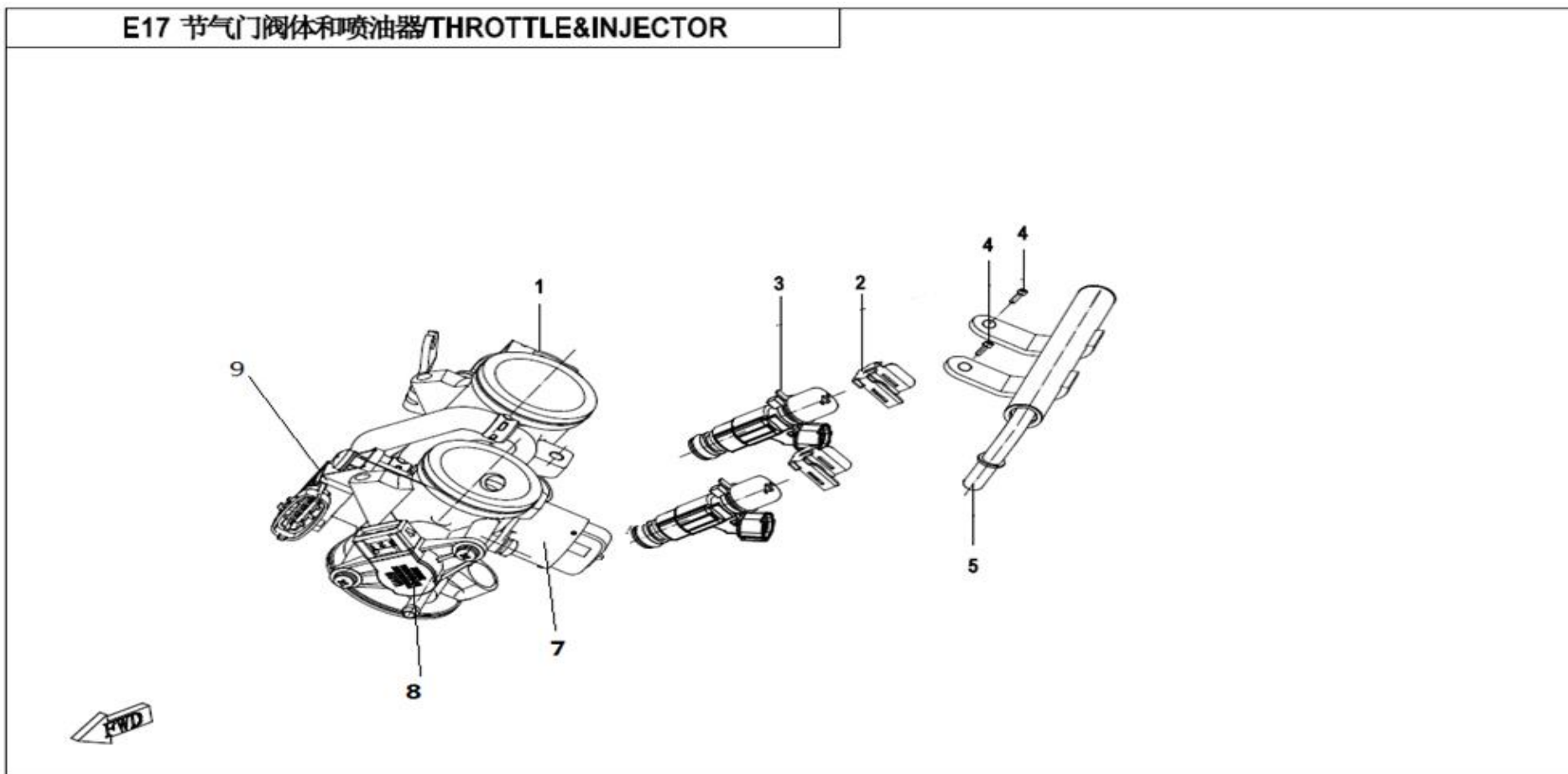
Item No.	Parts Number	Parts Name(EN)	Parts Name(CN)	Qty	Remark(s)
01	0700-090003	SHAFT, MIDDLE GEAR	中间齿轮轴	2	
02	0010-080013-0010	BOLT M6x22	螺栓	2	M6x22
03	0700-090002	STARTING GEAR	起动中间齿轮	1	
04	0700-094000-10001	GEAR ASSY, STARTING MOTOR	起动大齿轮组件	1	
05	0HU0-093000	STARTING MOTOR	起动电机组件	1	
06	0700-090004	DUAL GEAR	双联齿轮	1	
07	0700-090001	WASHER	垫圈	1	29.2x48x1.2
08	0700-093101	O-SEAL RING 24.7x3.10	O形密封圈	1	24.7x3.10

E16 平衡轴总成 BALANCER SHAFT



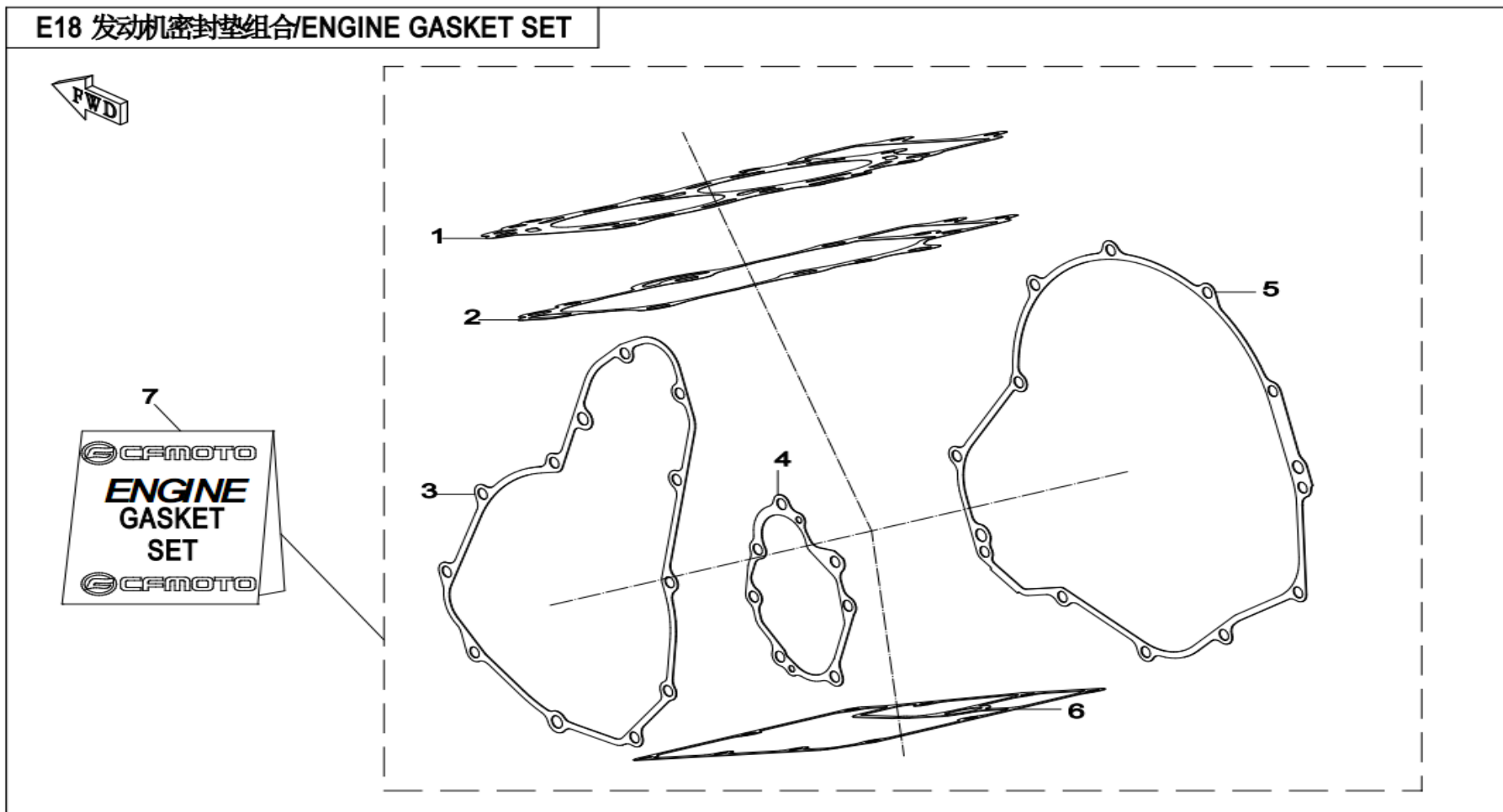
Item No	Parts Number	Parts Name(EN)	Parts Name(CN)	Qty	Remark(s)
01	0700-160000-30020	BALANCER SHAFT ASSY	平衡轴总成	1	283MT
02	0700-011004-00011	PALIN BEARING, BALANCER SHAFT	平衡轴瓦	4	

E17 节气门阀体和喷油器 THROTTLE&INJECTOR



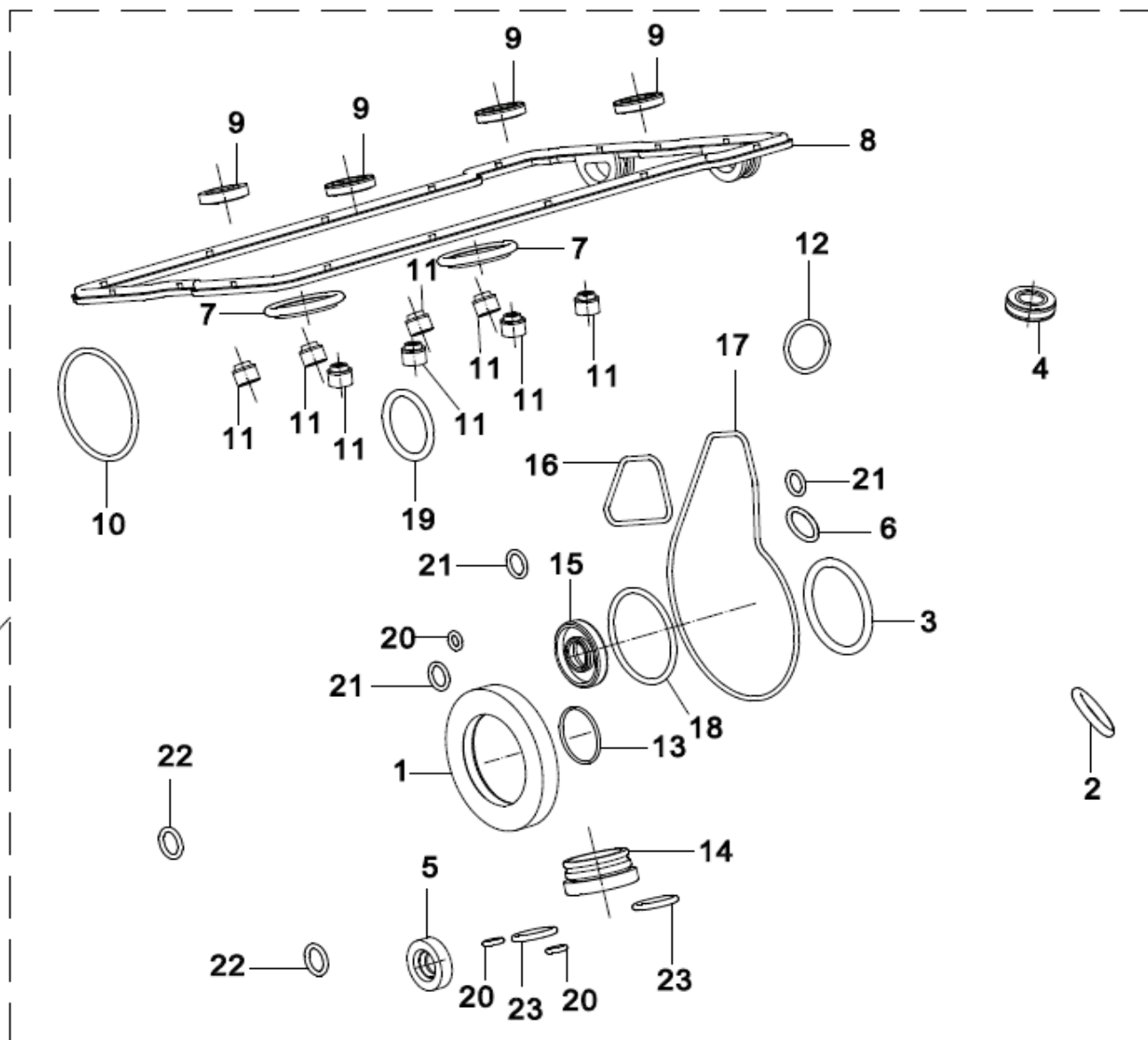
Item No	Parts Number	Parts Name(EN)	Parts Name(CN)	Qty	Remark(s)
01	0700-173000-60000	THROTTLE BODY ASSY	节气门阀体总成	1	
02	0MQ0-171001	CIRCLIP	卡簧	2	
03	0700-171100	FUEL INJECTOR	喷油器	2	
04	0010-090006-00001	SCREW	螺钉M6×12	2	
05	0MQ0-171200	FUEL RAIL	油轨	1	
07	0MQ0-173100	IDLE STEPPING MOTOR	怠速步进电机	1	
08	0GRB-173300	THROTTLE POSITION SENSOR	节气门位置传感器	1	
09	0JY0-175000	T-MAP	进气温度、压力传感器	1	

E18 发动机密封垫组合 ENGINE GASKET SET



Item No	Parts Number	Parts Name(EN)	Parts Name(CN)	Qty	Remark(s)
01	0700-022100-0001	GASKET KIT, CYLINDER HEAD	气缸盖垫片组件	1	
02	0700-023002-0001	GASKET, CYLINDER	气缸体垫片	1	
03	0700-014002-10000	GASKET, LH SIDE COVER	左侧盖密封垫	1	
04	0700-065202-10000	GASKET, TRANSMISSION COVER	换挡轴盖垫片	1	
05	0700-013002-10000	GASKET, RH SIDE COVER	右侧盖密封垫	1	
06	0700-015004-10000	GASKET, OIL PAN	油底壳垫片	1	
07	0700-0000A0	ENGINE GASKET SET	发动机密封垫组合	1	

发动机油封及O型圈/ENGINE OIL SEAL & O-RING SET



CFMOTO  
**ENGINE**  
OIL SEAL & O-RING  
SET  
CFMOTO

24

Item No	Parts Number	Parts Name(EN)	Parts Name(CN)	Qty	Remark(s)
01	0700-010200	OIL SEAL 40x62x8, COUNTERSHAFT	副轴油封	1	40x62x8
02	0110-013030	O-SEAL RING 18x3.55	O形密封圈	1	18x3.55
03	01A0-012003	O-SEAL RING 35x3.5	O形密封圈	1	35x3.5
04	0010-080009	OIL SEAL	油封	1	12x20x5
05	0700-065220	OIL SEAL 13x22x5.5	油封	1	13x22x5.5
06	01A0-013005	O-SEAL RING	O形密封圈	1	13x2
07	0700-021300	SEAL RING, SPARK PLUG HOLE	火花塞孔密封圈	2	
08	0700-021400-00010	SEAL RING, CYLINDER HEAD COVER	气缸盖罩密封圈	1	SHU YAUN MACHINE
09	0700-021200	CYLINDER HEAD COVER BOLT SEAL RING	气缸盖罩螺栓密封圈	4	
10	0700-022011	O-SEAL RING 44.5x2.5	O形密封圈	1	44.5x2.5
11	0700-022400-1000	SEAL RING, VALVE STEM	气门杆密封圈组件	8	
12	0700-024001	O-SEAL RING 19x2	O形密封圈	1	19x2
13	0800-062205	O-SEAL RING 25x2	O形密封圈	1	25x2
14	0700-070101	GASKET, OIL SUCTION PAN	吸油盘密封圈	1	
15	0700-081100	OIL SEAL 12x32x5.5	油封	1	12x32x5.5
16	0700-081002	SEAL RING, WATER PUMP HOUSING	水泵体密封圈	1	
17	0700-080002	SEAL RING, WATER PUMP COVER	水泵盖密封圈	1	
18	0180-080002	O-RING 34x2.5	O形圈	1	34x2.5
19	0700-093101	O-SEAL RING 24.7x3.10	O形密封圈	1	24.7x3.10
20	0700-012201	O-SEAL RING 5x2	O形密封圈	3	5x2
21	0700-011202	O-SEAL RING	O型密封圈	3	8.2x1.90
22	0700-012701	O-SEAL RING	O型密封圈10x2	2	10x2
23	0700-070003	O-SEAL RING 14x2.5	O形密封圈	2	14x2.5
24	0700-0000B0	ENGINE OIL SEAL & O-RING SET	发动机油封及O型圈	1	